

PLASTIC FLOW METER

VF350 with alarm switch type
without alarm switch type

Technical Data

Service: Liquid, Air

Wetted parts material:

Body: Polycarbonate (P.C); Polysulfone (PSU) available

O-ring: Viton

Float: SS316

Connection: SS316

Connection size: 3/4", 1" NPT female available

Mounting: Vertical position

Max. working pressure limit: 1.2 MPa (12 kg/cm²)

Max. test pressure: 2.0 MPa (20 kg/cm²) (water 25°C)

Max. working temperature limit: -10°C to 60°C (for PC body)
-10°C to 80°C (for PSU body)

Accuracy: ±5% full scale

Alarm switch: One setting points, form A N.O. type bistable reed switch

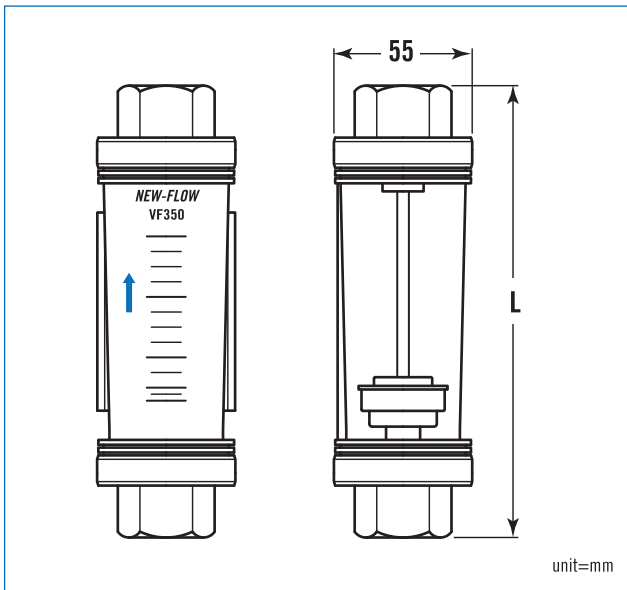
Switch rating: AC 125V 0.5A / DC 100V 10W / Max. DC 250V < 1mA

Weight: 0.45~0.5 kg

(Contact setting point should be within 10% to 80% of FS)



Dimensions



Flow Direction Types



Ordering Information

VF350	Code	Flow Range
	A	Air, 100~600 LPM (Litter per Minute)
	B	Water, 200~1000 LPH (Litter per Hour)
		Code Alarm Switch
	1R	One setting point
	0	Without alarm
		Code Body Material
	PC	Polycarbonate
	PSU	Polysulfone
		Code Connection Material
	1	SS316
		Code Process Connection in Female
	A	3/4" NPT (L=170mm)
	B	1" NPT (L=170mm)
		Code Flow Direction
	BT	Bottom to Top

SF350

Complete ordering code