

# PLASTIC FLOW METER

**VF200** – With alarm switch type, Weather proof IP65  
– Without alarm switch type

## Technical Data

**Service:** Water, Air

**Wetted parts material:**

Body: Polycarbonate (P.C); Polysulfone (PSU) available

O-ring: Viton

Float: –magnet cover with Polypropylene (P.P) or SS316

–If the liquid temperature > 80°C, the float coating should be PVDF

Connection: SS316; Plastic (PP, PVC, PVDF)

**Connection size:** 3/8", 1/2", 3/4" NPT female available

**Mounting:** Vertical position

**Pressure limits:** 300psig (20bar) @100°F (38°C)

**Temperature limits:**

–PC body tube with SS316 or PVDF connection: -5°C ~ +80°C

–PC body tube with PP or PVC connection: -5°C ~ +54°C

–PSU body tube with SS316 connection: -5°C ~ +120°C

–PSU body tube with PVDF connection: -5°C ~ +120°C

**Accuracy:** ±5% full scale

**Alarm switch:** One setting point, form A N.O. type bistable switch

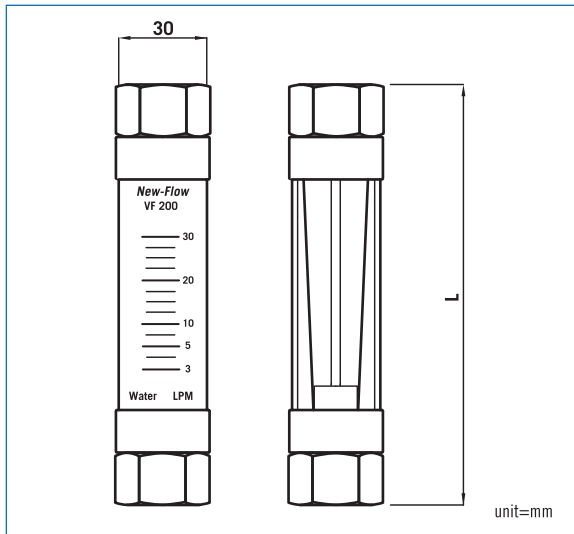
**Switch rating:** AC 125V 0.5A / DC 100V 10W / Max. DC 250V<1mA

**Weight:** approach 0.35kg (plastic)

(Contact setting point should be within 10% to 80% of F.S.)



## Dimensions



## Flow Direction Types



## Ordering Information

VF200	Code	Flow Range
	<b>A-1</b>	Water (LPH-Litter per Hour)
		(1) 6~60 (2) 12~120 (3) 25~200 (4) 40~300
	<b>A-2</b>	Water (LPM- Litter per Minute)
		(5) 0.1~1 (6) 0.2~2 (7) 0.6~5 (8) 0.5~3 (9) 1~10
	<b>B</b>	Air (LPM-Normal Litter per Minute)
		(10) 6~30 (11) 10~60 (12) 10~100 (13) 15~150 (14) 30~300
	<b>Code</b>	<b>Alarm Switch</b>
	<b>1R</b>	One setting point
	<b>0</b>	Without alarm
	<b>Code</b>	<b>Body Material</b>
	<b>PC</b>	Polycarbonate
	<b>PSU</b>	Polysulfone
	<b>Code</b>	<b>Connectoin Material</b>
		(1) SS316 (2) P.P (3) P.V.C (4) PVDF
	<b>Code</b>	<b>Process Connection in Female</b>
	<b>A</b>	3/8" NPT (L=134mm)
	<b>B</b>	1/2" NPT (L=134mm)
	<b>C</b>	3/4" NPT (L=162.5mm) (switch type not available)
	<b>Code</b>	<b>Flow Direction</b>
	<b>BT</b>	Bottom to Top
<b>VF200</b>		<b>Complete ordering code</b>