

# ACRYLIC PLASTIC FLOW METER

VF100 *with alarm switch type*  
*without alarm switch type*

## Technical Data

**Service:** Water, Air

**Wetted parts material:** Body-Acrylic Plastic O-ring: Viton  
 Float- magnet cover with Polypropylene (P.P or SS316)

**Connection material:** SS316

**Connection size:** 3/8", 1/2", 3/4" NPT female available

**Mounting:** vertical position

**Temperature & pressure limits:** 150 psig(10bar) @ 100°F(38°C)

**Temperature limit:** -24°C~+54°C

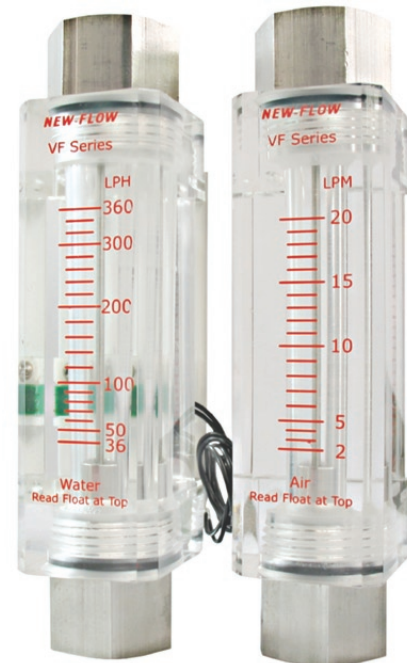
**Accuracy:** ±5% full scale

**Alarm switch:** one or two setting points, form A N.O. type bistable reed switch

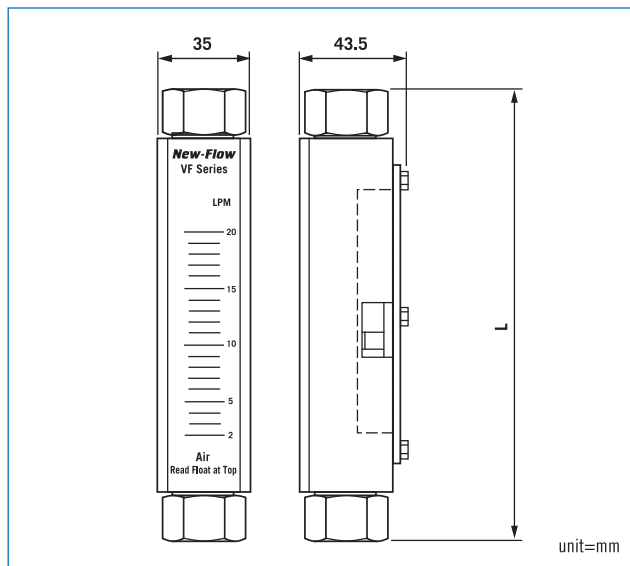
**Switch rating:** AC 125V 0.5A / DC 100V 10W / Max. DC 250V<1mA

**Weight:** 0.45~0.5 kg

(Contact setting point should be within 10% to 80% of FS)



## Dimensions



## Flow Direction Types



BT

## Ordering Information

VF100	Code	Flow Range		
↓	A-1	Water (LPH- Litter per Hour)		
		(1) 6~60 (2) 10~140 (3) 25~250 (4) 60~360		
	A-2	Water (LPM- Litter per Minute)		
		(5) 0.1~1 (6) 0.2~2 (7) 0.4~4 (8) 1~6 (9) 1~10		
		(10) 2~20 (11) 6~60 (12) 12~120 (13) 20~200 (14) 40~400		
	B	Air (LPM- Normal Litter per Minute)		
		(10) 2~20 (11) 6~60 (12) 12~120 (13) 20~200 (14) 40~400		
	↓	<b>Code</b>	<b>Alarm Switch</b>	
		1R	One setting point	
		2R	Two setting points	
	↓	0	Without alarm	
		↓	<b>Code</b>	<b>Process Connection in Female</b>
			A	3/8"NPT (L=150mm)
	B		1/2"NPT (L=150mm)	
↓	C	3/4"NPT (L=152mm)		
	↓	<b>Code</b>	<b>Flow Direction</b>	
BT		Bottom to Top		
VF100		Complete ordering code		