

U-TUBE MANOMETER U SERIES

Technical Data

Economic Type

U Tube Material: Glass

Tube Size: O.D Ø8mm x I.D Ø6mm

Measure Range: Please refer to range table.

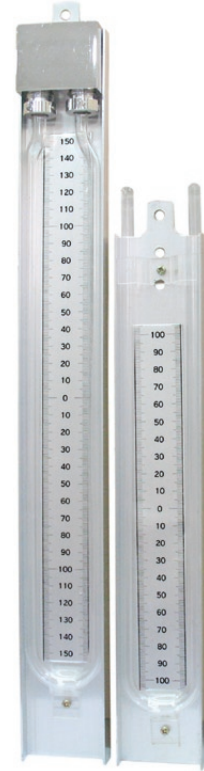
Working Pressure: Max. 3 kg/cm²

Working Temperature: Max. 80°C

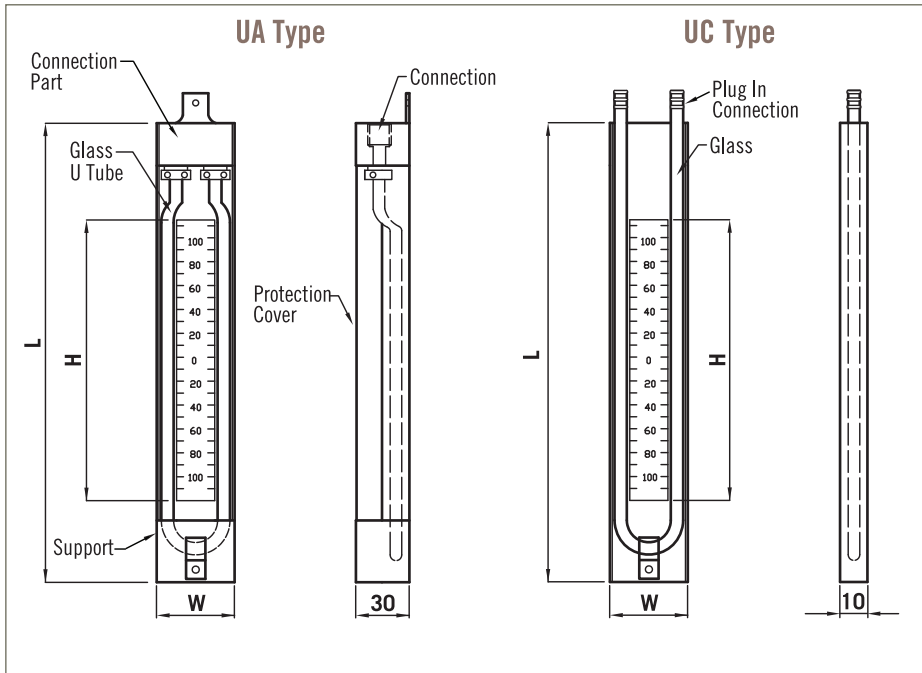
Model UA Connection Size: ¼"NPT female with acrylic protection cover

Model UC Connecton Size: O.D Ø8mm, plug in hose tube directly, without acrylic protection & connection part

Material: Support–Aluminum (standard), SS304, option available
 Connection Part–SS316, SS304, Aluminum, Bronze available
 Seal O-Ring–NBR, Viton, Teflon available



Dimension



Range Table

unit=mmH₂O

Model	Range	Dimension		
		L	H	W
200	±100	300	200	50
300	±150	400	300	50
400	±200	500	400	50
500	±250	600	500	50
600	±300	700	600	50
800	±400	900	800	50
1000	±500	1100	1000	50

*Special range on request.

Ordering Information

UA/UC	Model	200	300	400	500	600	800	1000		
	Code	Wetted Parts Material								
	S	Wetted parts are stainless steel				A	Wetted parts are aluminum			
	V	Wetted parts are bronze				N	Without for UC type			
	Code	Connection Size (Female)								
		(1) ¼"NPT (2) ¼"PT (3) Without (for UC type)								
	Code	Seal O-Ring Material								
		(1) NBR (2) Viton (3) Teflon (4) Without (for UC type)								
	Code	Protection Supporter Material								
		(1) SS304 (2) Aluminum (3) Option								
	Code	Scale Plate Material								
		(1) SS304 (2) Aluminum (3) Option								
									Complete Ordering Code	