

THERMOCOUPLE AND RTD ASSEMBLIES

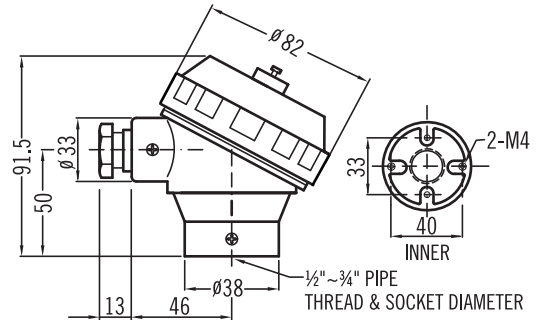
Head Type Technical Data



HN TYPE

HN Type

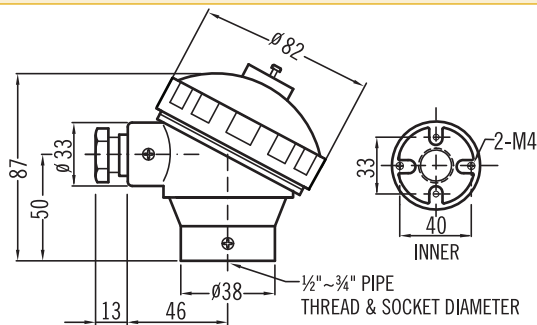
Protection: IP67
Material: Aluminum Alloy
Weight: 264g
Protection tube connection: ½", ¾" (PF, NPT, BSP), M20X1.5
Extension wire connection: ½", ¾" (PF, NPT, BSP), M20X1.5
 Other specifications are available on request.



HP TYPE

HP Type

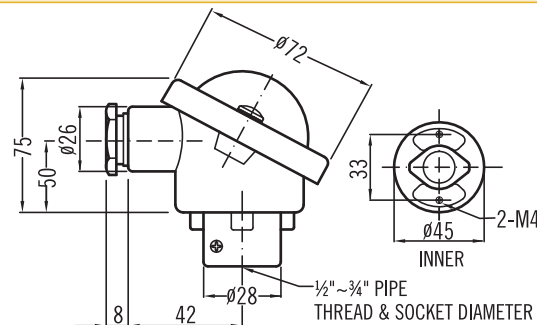
Protection: IP65
Material: Polypropylene
Weight: 112g
Protection tube connection: ½" NPT, ½" BSP
Extension wire connection: ¾" NPT, M20X1.5
 Other specifications are available on request.



HD TYPE

HD Type

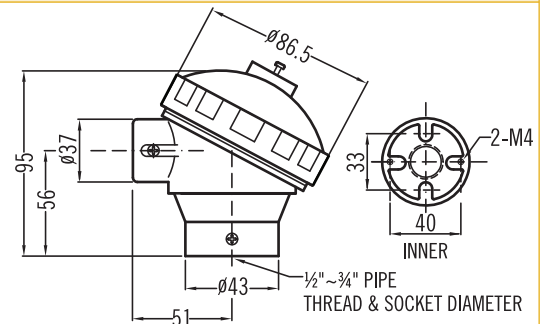
Protection: IP67
Material: Aluminum Alloy
Weight: 158g
Protection tube connection: ½" PF, ½" BSP
Extension wire connection: M22X1.5, PG16
 Other specifications are available on request.



HI TYPE

HI Type

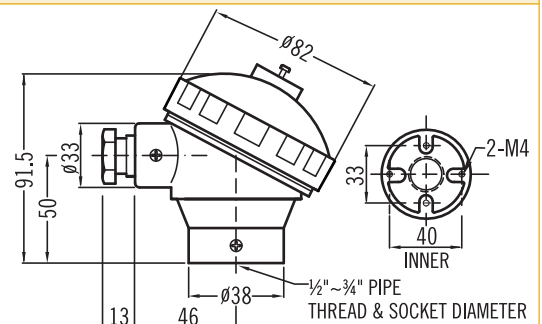
Protection: IP67
Material: Cast Iron
Weight: 1600g
Protection tube connection: ½", ¾" (PF, NPT, BSP), M20X1.5
Extension wire connection: ½", ¾" (PF, NPT, BSP), M20X1.5
 Other specifications are available on request.



HB TYPE

HB Type

Protection: IP65
Material: Bakelite
Weight: 156g
Protection tube connection: ½" PF
Extension wire connection: ½" PF
 Other specifications are available on request.



Head Type Technical Data



XDS TYPE



XDA TYPE



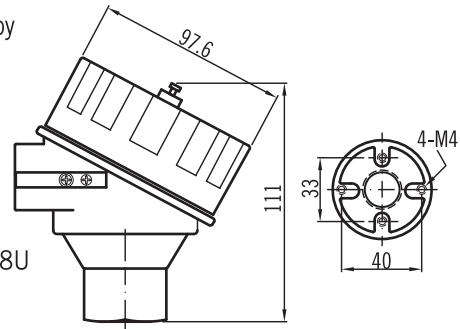
S1 TYPE



S2 TYPE

XDS / XDA Type

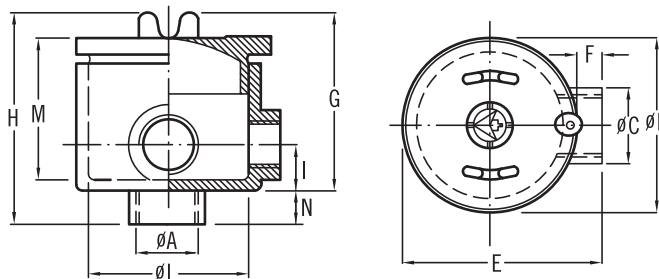
Material: XDS-SS316; XDA-Aluminum alloy
Weight: XDS-1278 g; XDA-460 g
Protection tube connection:
 1/2"PF, 3/4"PF, 1/2"NPT, 3/4"NPT
 1/2"BSP, 3/4"BSP, G1/2", G3/4"
 M20x1.5, M24x1.5, M25x1.5
Extension wire connection:
 M20x1.5, M25x1.5, 1/2"NPT, 3/4"NPT
EC certificate no.: BSI 07 ATEX 1532458U
ATEX directive code: II 2 G D
Standard code: Ex d IIC T6, Ex tD A21
 T100°C IP6x Ta= -20°C to +40°C



FM Approvals: XP/II/1/ABCD/T6; DIP/II,III/1/EFG/T6; Type 4X
 Explosionproof for Class I, Division 1, Groups A,B,C and D; and dust-ignitionproof for Class II, III Division 1, Groups E,F and G, hazardous (classified) locations; indoor / outdoor (NEMA Type 4X).


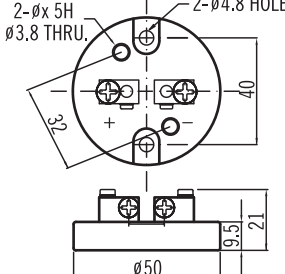

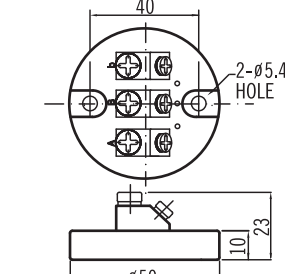

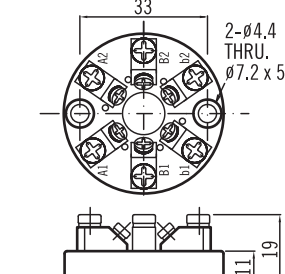

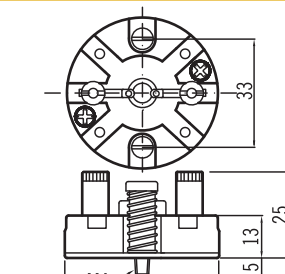

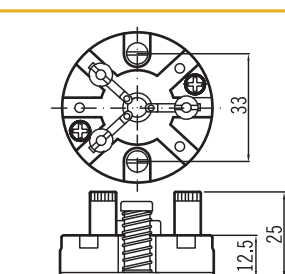

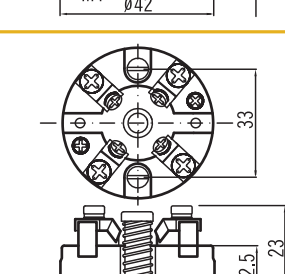
S1 & S2 Type

Protection: Explosion proof. EExdIIC T6 IP65
Material: Aluminum Alloy



Type	Dimensions											Terminal Block (on request)	Weight Gr.
	ØA	ØB	ØC	E	F	G	H	I	ØL	M	N		
S1	1/2"	70	31	79	9	72	85	20	55	52	13	4x4 mm ²	350
S2	3/4"	90	38	100	10	78	92	24	76	69	14	4x4 mm ²	510

Terminal Type-Terminal blocks for connection heads

 <p>N-2P-A N-3P-A N-3P-A(Y) N-4P-A N-6P-A</p>	
<p>Material: Ceramic Al₂O₃ 92% Temperature limited: 600°C Terminal block weight: 2P-A(72g); 3P-A(78g); 3P-A(Y)(72g); 4P-A(84g); 6P-A(94g)</p>	
 <p>N-2P-B N-3P-B N-3P-B(Y) N-4P-B N-6P-B</p>	
<p>Material: Bakelite Temperature limited: 180°C Terminal block weight: 2P-B(56g); 3P-B(68g); 3P-B(Y)(44g); 4P-B(84g); 6P-B(66g)</p>	
<p>*</p>  <p>M-2P-C M-3P-C M-4P-C M-6P-C</p>	
<p>Material: Ceramic Temperature limited: 600°C Terminal block weight: 2P-C(34g); 3P-C(38g); 4P-C(42g); 6P-C(54g)</p>	
<p>*</p>  <p>D-2P-A D-3P-A D-4P-A D-6P-A</p>	
<p>Material: Ceramic Al₂O₃ 92% Temperature limited: 600°C Terminal block weight: 2P-A(66g); 3P-A(72g); 4P-A(78g); 6P-A(88g)</p>	
<p>*</p>  <p>D-2P-B D-3P-B D-4P-B D-6P-B</p>	
<p>Material: Bakelite Temperature limited: 180°C Terminal block weight: 2P-B(48g); 3P-B(54g); 4P-B(60g); 6P-B(72g)</p>	
<p>*</p>  <p>DS-2P-C DS-3P-C DS-4P-C DS-6P-C</p>	
<p>Material: Ceramic Temperature limited: 600°C Terminal block weight: 2P-C(64g); 3P-C(70g); 4P-C(74g); 6P-C(84g)</p>	

NOTE

* HD Type: Head Type
 * HD only choose these terminal blocks of type D-2P-A/M-6P-C/D-3P-B/DS-4P-C.
 All type of terminal blocks are suitable for other head.