

FIELD MOUNTED TEMPERATURE TRANSMITTER WITH DISPLAY T-1000

Explosion Proof

**CLASS I, GROUPS A, B, C & D,
CLASS II, GROUPS E, F & G
NEMA 4X**

Technical Data

Enclosure housing: Aluminum or SS316

Input: Programmable for thermocouple type K, J, R, S, T, N, E, B and RTD pt 100Ω from a PC

Working span range: Programmable from a PC

LCD display: 5 digital (Only Positive digital)

Output: Linearized 4 to 20mA

Accuracy: pt 100Ω and 0 to 50mV ±0.15% full scale
Thermocouple ±0.25% full scale

Ambient temperature: -40 to +85°C (-40 to 185°F)

Power supply: 12 to 35 VDC

Sensor failure protection: Programmable burnout upscale or downscale

Sensor connection: ½", ¾" available

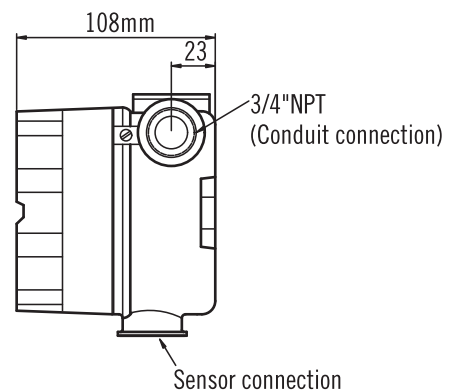
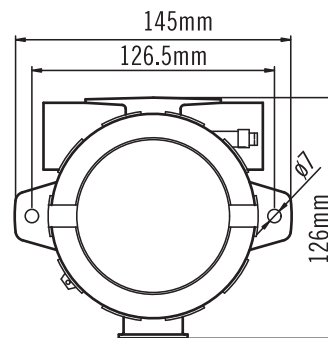
Conduit connection: ¾"NPT Female



Range Table

Sensor Type	Range	Minimum Measurement Span
Thermocouple K	-50~1370°C	50°C
Thermocouple J	-50~1000°C	50°C
Thermocouple R	-50~1750°C	100°C
Thermocouple S	-50~1750°C	100°C
Thermocouple T	-270~400°C	50°C
Thermocouple N	-50~1300°C	50°C
Thermocouple E	-50~960°C	50°C
Thermocouple B	0~1750°C	100°C
PT100	-200~600°C	20°C
Voltage	-10~+10 Vdc	5mV

Dimensions



Ordering Information

T1000	Code	Sensor Type
		(1) K (2) J (3) R (4) S (5) T (6) N (7) E (8) B (9) PT100 (10) Voltage
		Code Measuring Range
		Please fill in the requested measurement range.
		Code Output
		A 4~20 mA
		Code Sensor Connection
		(A) ½"NPT (B) ¾"NPT (O) option
T1000		Complete Ordering Code