

MASS FLOW METERS

With or Without LCD Display

TSF SERIES

±2% Accuracy
Linear Output
Thermal Technology
For Using in Non Corrosive Gas
For Flow Rates up to 1500 SLM
Power Supply Included

The NEW-FLOW Thermal Mass Flow Meters provide high performance. Thermal Technology offers advantages in accuracy, sensitivity and turn quality components and the latest technology are combined to provide reliable, compact meters and controllers. The TSF Series comes with or without an LCD display, and all models come with linear 0-5 VDC and 4-20 mA output. The TSF Series measures the mass flow rate of gases in 4 ranges from 0-750 SLM to 0-1500 SLM as range table.

Technical Data

- Wetted Material:** Standard flowbody- 316 Stainless Steel, Option available. O-ring- Viton.
- Output Signal:** 0-5 VDC Linear min. load 1000Ω or 4-20 mA Linear, loop resistance 500Ω
- Input Power:** 24 VDC Standard, optional power supply 15 VDC 115 VAC, 220 VAC @500mA
- Accuracy:** +/- 2% F.S (including Linearity)
- Trun Down Ratio:** 100:1
- Repeatability:** +/- 0.15% F.S or better
- Electric Connection:** 9 Pin Sub "D"
- Process Connection:** 1" NPT Female
- Range:** 0-750 SLM to 1500 SLM
- Minimum Pressure:** 100" H₂O
- Max Pressure:** 500 PSIG
- Temperature Range:** 0~50°C
- Response Time:** 1 Second
- Temp. Coefficient:** 0.05% Full scale per 1°C or better
- Pressure Coefficient:** 0.01% full scale per PSIG or better
- Weight:** app. to 6.5kg with power supply

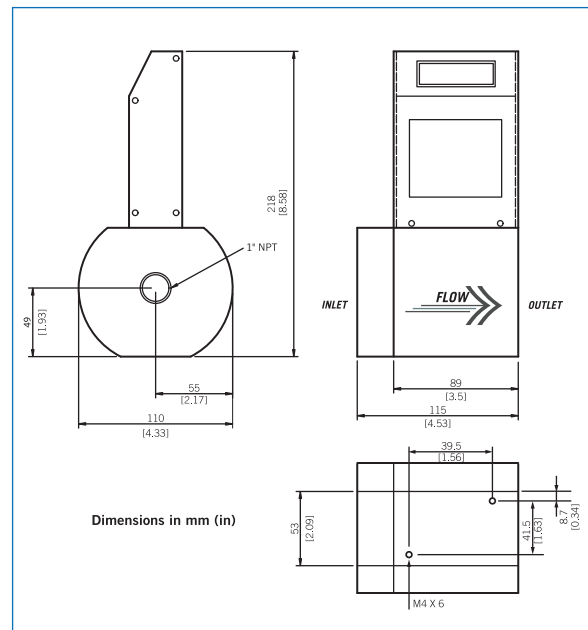
Range Table

Code	SLM
00	0-750
01	0-1000
02	0-1250
03	0~1500
04	*Custom Flow Rate

Note. *Please notice that the max. flow range is 1500 SLM.



Dimensions



Ordering Information

TSF	Code	Flow Range					
	00	0-750 SLM	02	0-1250 SLM			
	01	0-1000 SLM	03	0-1500 SLM			
	04	*Custom size (please directly fill in the requested range.)					
		Code	Wetted Material				
			(A) SS316 (O) Option				
		Code	Process Connection				
		1	1" NPT (F)				
		Code	Display				
		W	With display	0	Without display		
		Code	Output Signal				
			(1) 0-5VDC (2) 4-20 mA				
		Code	Input Power				
			(1) 24VDC (2) 15VDC				
		Code	Power Supply for 24vdc				
			(1) with (2) without				
TSF							