

PLASTIC FLOW METER – Spring Type

SF300 *with alarm switch type*
without alarm switch type

Technical Data

Service: Liquid, Oil

Wetted parts material:

Body: Polycarbonate (P.C); Polysulfone (PSU) available

O-ring: Viton

Float: magnet cover with PPS plastic

Connection: SS316

Spring: SS316

Connection size: 3/8", 1/2", 3/4" NPT female available

Mounting: Vertical and Horizontal available, various flow directions

Max. working pressure limit: 1.2 MPa (12 kg/cm²)

Max. test pressure: 2.0 MPa (20 kg/cm²) (water 25°C)

Max. working temperature limit: -10°C to 60°C (for PC body)
 -10°C to 80°C (for PSU body)

Accuracy: ±5% full scale

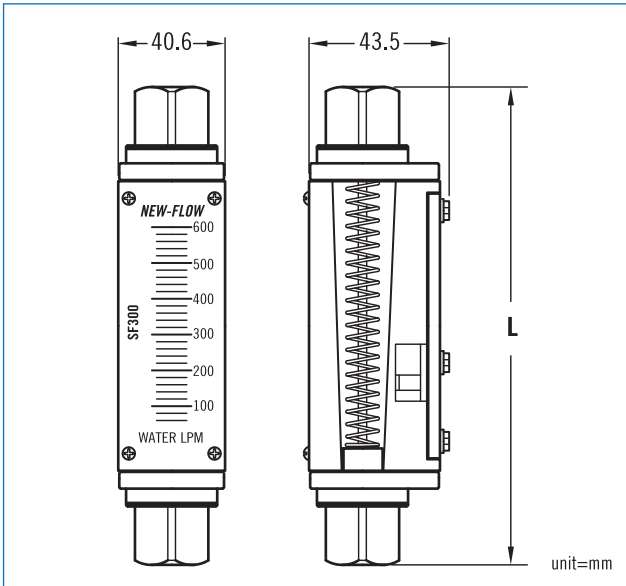
Alarm switch: One or Two setting points, form A N.O. type bistable reed switch

Switch rating: AC 125V 0.5A / DC 100V 10W / Max. DC 250V < 1mA

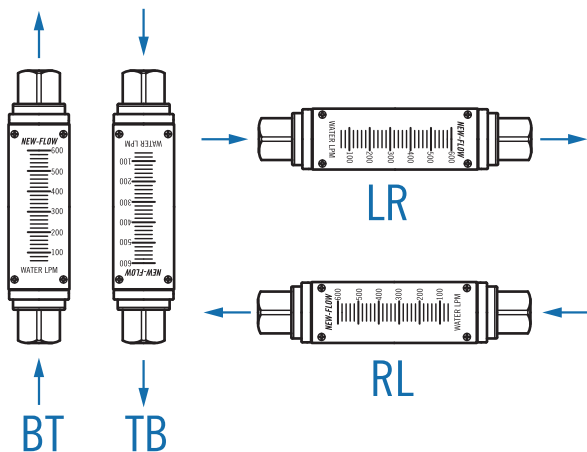
Weight: 0.3~0.4 kg

(Contact setting point should be within 10% to 80% of FS)

Dimensions



Flow Direction Types



Ordering Information

SF300	Code	Flow Range (LPM- Litter per Minute)								
	A	0.4~4 LPM	E 4~40 LPM							
	B	1~10 LPM	F 5~50 LPM							
	C	2~20 LPM	G 6~60 LPM							
	D	3~30 LPM								
		Code	Alarm Switch							
		1R	One setting point							
		2R	Two setting points							
		0	Without alarm							
		Code	Body Material							
		PC	Polycarbonate							
		PSU	Polysulfone							
		Code	Connection Material							
		1	SS316							
		Code	Process Connection in Female							
		A	3/8" NPT (L=150mm)							
		B	1/2" NPT (L=150mm)							
		C	3/4" NPT (L=150mm)							
		Code	Flow Direction							
		BT	Bottom to Top							
		TB	Top to Bottom							
		RL	Right to Left							
		LR	Left to Right							
SF300										Complete ordering code