

VACUUM SWITCH NEMA 4, 4X, IP65

PS1000W

Proof Pressure to 1000psi
Adjustable Range: -25 ~ -760 mmHg
Temperature: -5°C ~ +150°C

The New-Flow PS1000W, a water proof vacuum switch, is designed to be used in control systems. PS1000W has high set point repeatability and narrow dead band features. Easily adjusted to the set point, and no special tools needed!

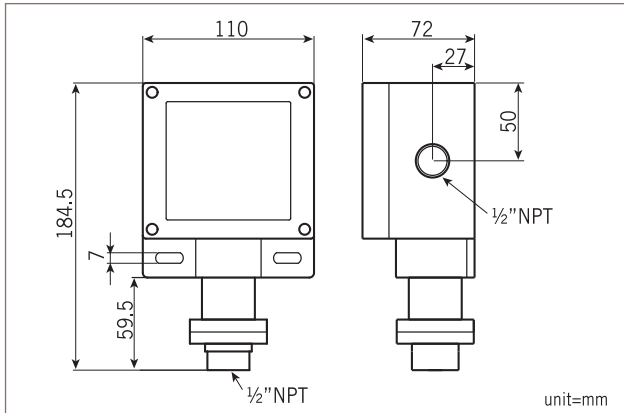
Technical data

- Switch Data:** One SPDT Microswitch
- 15amps 125/250VAC, Gold Contact Microswitch 1A 125/250VAC**
- Housing:** die cast aluminum alloy with paint
- Conduit Connection:** 3/4" or 1/2" NPT Female
- Pressure Element:** Diaphragm
- Process Materials:** Wetted parts-SS316; O-ring- Viton
- Process Connection:** 1/2" or 1/4" NPT Female and BSP Female available



WWW.NEW-FLOW.COM • TEL: 886-7-8135500 • FAX: 886-7-8225588 • Email: info@new-flow.com

Dimensions



Range Table

Code	Adjustable Range	Dead Band	Maximum Pressure Proof
1R	-25 ~ -760 mmHg	10 ~ 20 mmHg	1000 psi

Ordering Information

PS1000W	Code	Range		
	1R	-25 ~ -760 mmHg		
	Code	Wetted Material		
	A	SS316		
	Code	Process Connection		
	(1) 1/2" NPT Female (2) 1/4" NPT Female (3) 1/2" BSP Female (4) 1/4" BSP Female			
	Code	Conduit Connection		
(E) 3/4" NPT Female, standard (F) 1/2" NPT Female				
Code	Switch Form			
1	One SPDT			
PS1000W				Complete Ordering Code