

PRU350

PRESSURE REDUCING REGULATOR

PRU350

Technical Data

For using gases and liquids

Inlet pressure: 1.5 Mpa maximum

Adjustable outlet pressure in ranges: 0.01~0.2 Mpa (0.1~2 kg/cm²)

0.05~0.7 Mpa (0.5~7 kg/cm²)

Operating temperature: -5 to 60°C

Diaphragm materials: Viton with PTFE lining

Body material: SS316

Seat material: PTFE

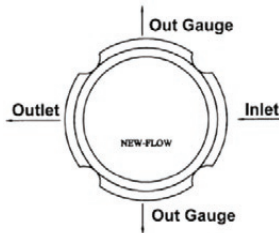
Handle wheel material: SS

Effective flow area: 8.0 mm

All ports are standard: 1/2" NPT female

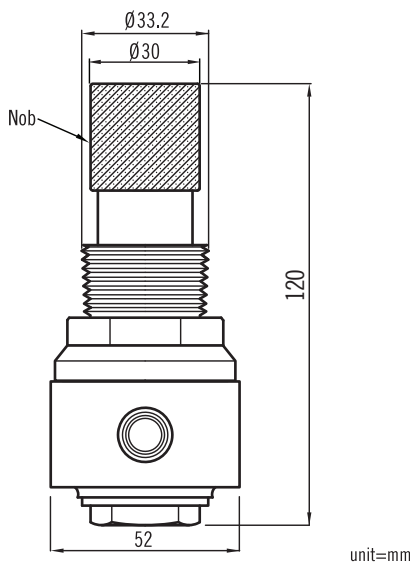
CV: 0.6

Standard Port Configuration

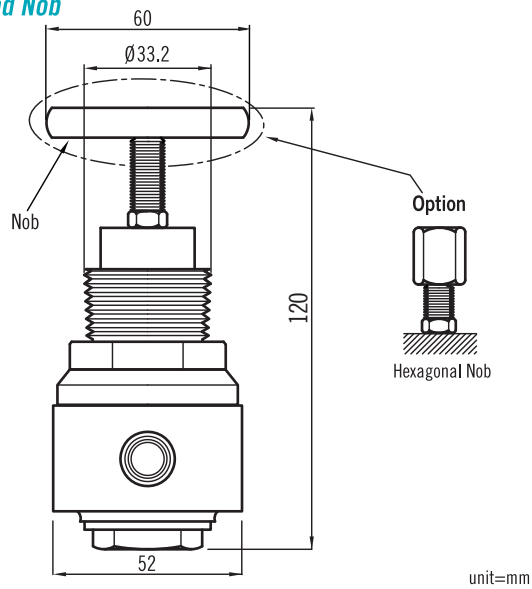


Dimensions

Round Nob



Flat-Head Nob



Ordering Information

PRU350	Code	Body & Nob material			
	1	316 stainless steel			
		Code	Nob Type		
		A	Round	B	Flat-Head
				C	Hexagonal
		Code	Max. inlet pressure		
		1	1.5 Mpa (15 kg/cm ²)		
		Code	Outlet pressure range		
		1	0.01~0.2 Mpa (0.1~2 kg/cm ²)		
		2	0.05~0.7 Mpa (0.5~7 kg/cm ²)		
PRU350					Complete Ordering Code