

PRESSURE REDUCING REGULATOR

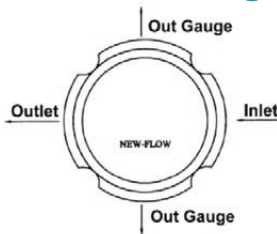
PRU300

Technical Data

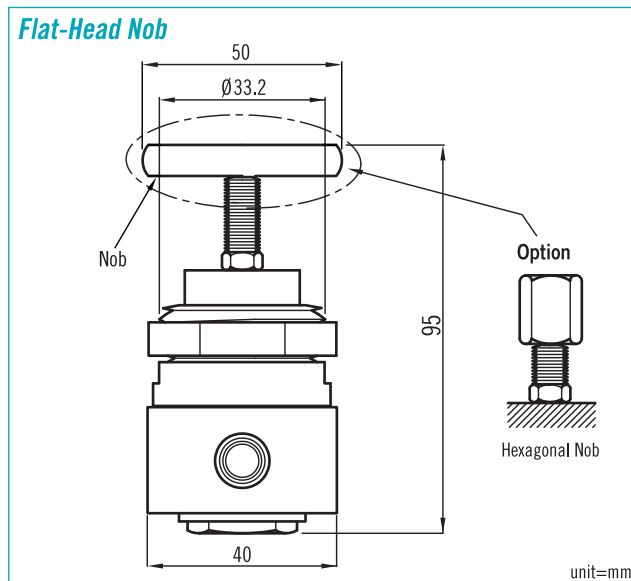
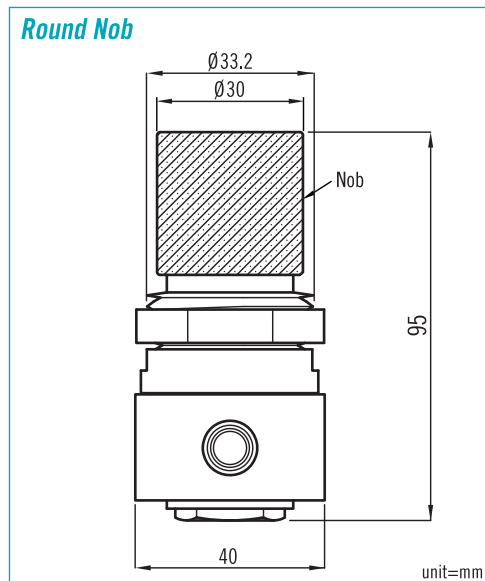
For using gases and liquids
Inlet pressure: 1.5 Mpa maximum
Adjustable outlet pressure in ranges:
 0.01~0.2 Mpa (0.1~2 kg/cm²)
 0.05~0.7 Mpa (0.5~7 kg/cm²)
Operating temperature: -5 to 60°C
Diaphragm materials: Viton with PTFE lining
Body material: SS316
Seat material: PTFE
Handle wheel material: SS
Effective flow area: 4.0 mm
All ports are standard: ¼" NPT female
CV: 0.35



Standard Port Configuration



Dimensions



Ordering Information

PRU300	Code	Body & Nob material
	1	316 stainless steel
		Code Nob Type
	A	Round
	B	Flat-Head
	C	Hexagonal
		Code Max. inlet pressure
	1	1.5 Mpa (15 kg/cm ²)
		Code Outlet pressure range
	1	0.01~0.2 Mpa (0.1~2 kg/cm ²)
	2	0.05~0.7 Mpa (0.5~7 kg/cm ²)
PRU300		Complete Ordering Code