

# PRESSURE REDUCING REGULATOR

## PRU100

### Technical Data

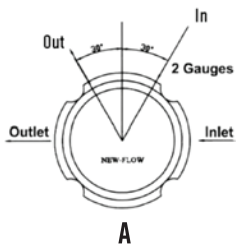
For using gas and liquid  
**Inlet pressure:** 600, 3500 Psig maximum  
**Adjustable outlet pressure in ranges:** 20, 50, 100, 150, 250, 500 Psig  
**Operating temperature:** -40 to 175°C  
**Diaphragm materials:** 316L stainless steel  
**Body material:** SS316  
**Seat material:** PTFE, PFA available  
**Cv flow coefficients:** 0.06  
**All ports are standard:** 1/4" NPT female  
**Use no oil:** available



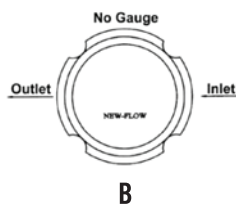
Plastic Nob

Metal Nob

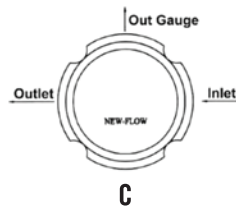
### Standard Port Configuration



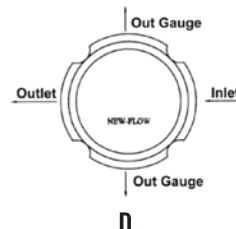
A



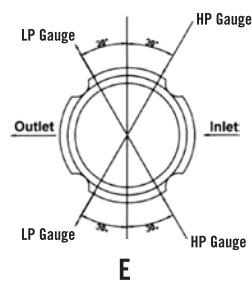
B



C

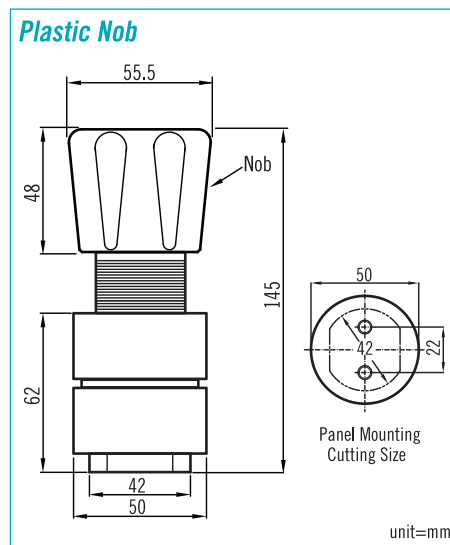


D

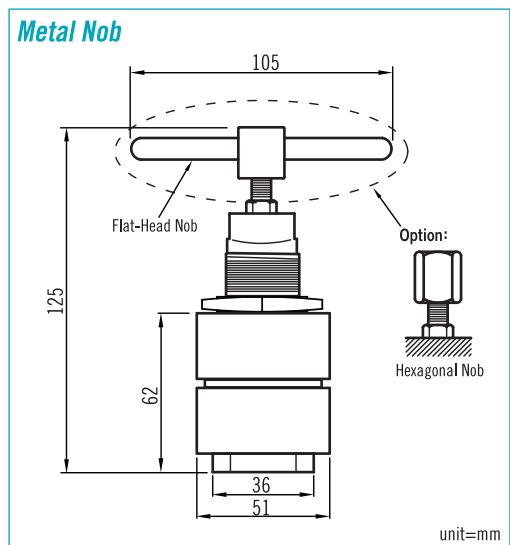


E

### Dimensions



unit=mm



unit=mm

### Ordering Information

PRU100	Code	Body material
	1	316 stainless steel
		<b>Code</b> <b>Nob Material</b>
	A	Plastic
	B	Metal(Flat-Head)
	C	Metal(Hexagonal)
		<b>Code</b> <b>Max. inlet pressure</b>
	1	600 Psig
	2	3500 Psig
		<b>Code</b> <b>Outlet pressure range</b>
	1	1-20 Psig
	2	1-50 Psig
	3	2-100 Psig
	4	2-150 Psig
	5	3-250 Psig
	6	5-500 Psig
		<b>Code</b> <b>Seat material</b>
	A	Teflon (Max. inlet pressure 600 Psig)
	B	PFA (Max. inlet pressure 3500 Psig)
		<b>Code</b> <b>Port Configuration</b>
		A B C D E
PRU100		Complete Ordering Code