

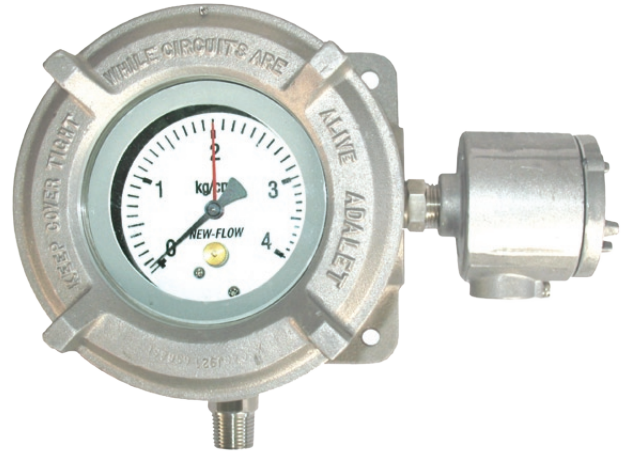
PRESSURE GAUGE WITH MICRO SWITCH EXPLOSION PROOF TYPE

PIS5000X

**CLASS I, GROUPS A, B, C, D; CLASS II, GROUPS E, F, G; NEMA 4X
Micro Switch**
Measuring Range: 0.1 MPa~40 MPa , 1~400 kg/cm² Available

Technical Data

- Material:** Bourdon tube SS316, Wetted parts SS316
- Housing:** Die cast aluminum alloy
- Dial:** ø6"
- Process Connection:** 3/8", 1/2"NPT, option with adaptor available
- Electronic Connection:** 1/2"NPT, option with adaptor available
- Accuracy:** Gauge indication ±1.6% F.S
- Pressure limited:** Over range protected 130% of full scale range
- Switch form:** One setting point: SPDT x 1 or Two setting point: SPDT x 2 available
- Set point:** Full scale range available
- Switch dead band:** ±2% of Full Scale
- Switch data:**



	AC Load	DC Load
Nominal Operating Voltage	250 VAC max.	28 VDC max.
Current	5A max.	5A max. (ohmic load) 3A max. (inductive load)
Contact Material	Pure silver 999.9	Pure silver 999.9
Ambient Temperature	-20°C ~ +70°C	-20°C ~ +70°C

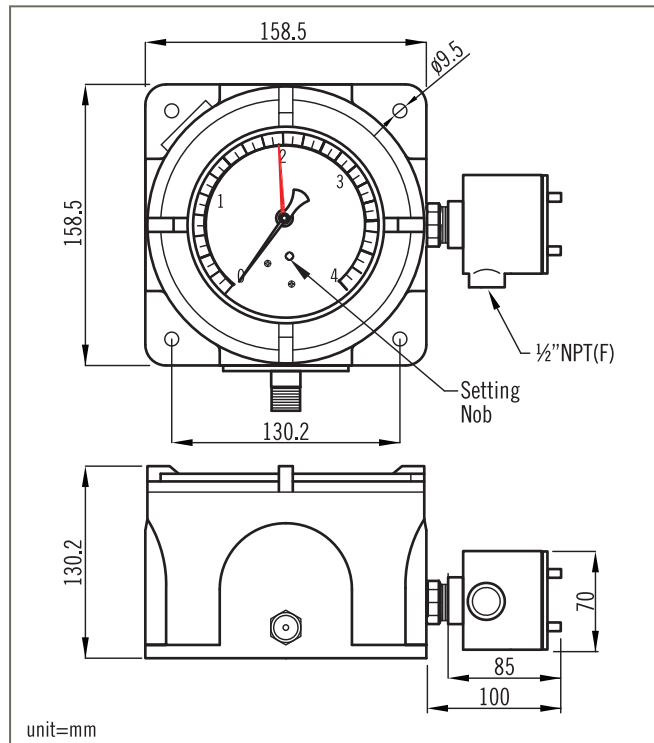
Range Selection Table – KG/CM²

Code	Range	Code	Range	Code	Range	Code	Range	Code	Range
001	0~1	004	0~4	007	0~16	010	0~40	013	0~160
002	0~1.6	005	0~6	008	0~20	011	0~60	014	0~250
003	0~2.5	006	0~10	009	0~25	012	0~100	015	0~400

NOTE.

1. Scale Unit: MPa, Kg/cm², Bar available
2. 1bar=0.1Mpa, 1bar=1.01972kg/cm², 1Pa=1x10⁻⁶ MPa, 1MPa=10.197 kg/cm²

Dimension



Ordering Information

PIS5000X	Code	Process Connection
		(1) 3/8"NPT (2) 1/2"NPT (3) Option
		Code Conduit Connection
	A	1/2"NPT Female
	B	Option
		Code Material
	S	SS316
		Code Switch Function
	1	One setting point SPDT x 1
	2	Two setting point SPDT x 2
		Code Measuring Range
		Please refer to selection table and fill in request range.
PIS5000X		