

MAGNETIC LEVEL GAUGE M-SERIES

The M series magnetic level gauge, level switch consist of an un-magnetic chamber, magnetic float and with a built-in magnet strips, a vertical chamber connected a tank with two end. The float rised or falls in the chamber. It turn to the indicative strips to provide a indication of the tank level. This series also provide accessories such as switch and measuring sensor with converter turn to a 4~20mA (2 wires) DC output signal. To provide a liquid level control function.

Technical Data

Application for chemical and petrol chemical process, boilers and other industries.

Connection: From 1/2" to 3" flange type, JIS, ANSI, DIN rating available; special size on request.

Pressure Limited: 5 kg/cm² for Plastic chamber type (P.V.C, PP);
7 kg/cm² for Plastic chamber type (PVDF);
20 kg/cm² for Metal chamber type (stainless steel);
up to 40 kg/cm² for Metal chamber type (stainless steel) on request

Temperature Limited: 0~50°C for Plastic chamber type (P.V.C, PP);
-30~100°C for Plastic chamber type (PVDF);
-20~150°C for Metal chamber type (stainless steel);
-20~300°C for Metal chamber type (stainless steel) on request (for this special type, if your operating temperature is $\geq 250^\circ\text{C}$, the Sp. Gr. must be ≥ 0.8 .)

Center to Center Length: maximum 5500mm

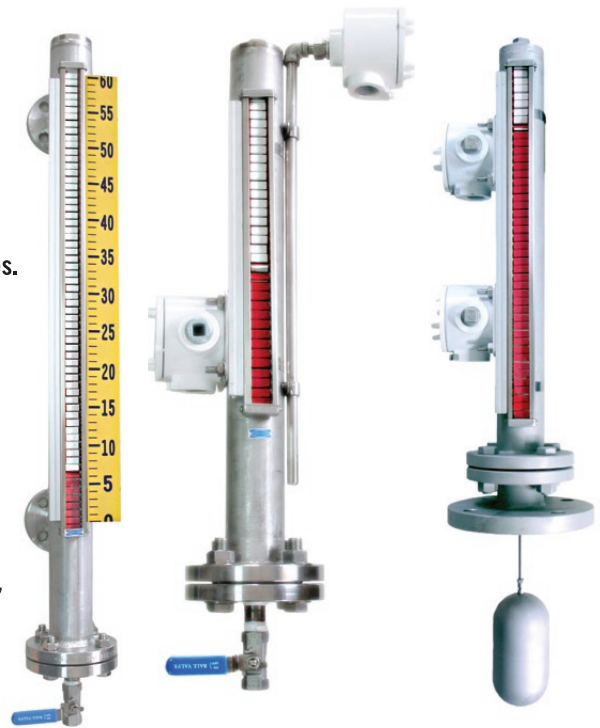
Accuracy: $\pm 4\text{mm}$ (Transmitter type: standard $\pm 12\text{mm}$; $\pm 6\text{mm}$ on request)

Indicating Strips Material: Aluminum; Plastic (PBT) available, the colors are red and white

Specific Gravity: for standard type: 500~2900 kg/m³;
(for special type with high temp. $\geq 250^\circ\text{C}$, the Sp. Gr. must be $\geq 800\text{ kg/m}^3$).

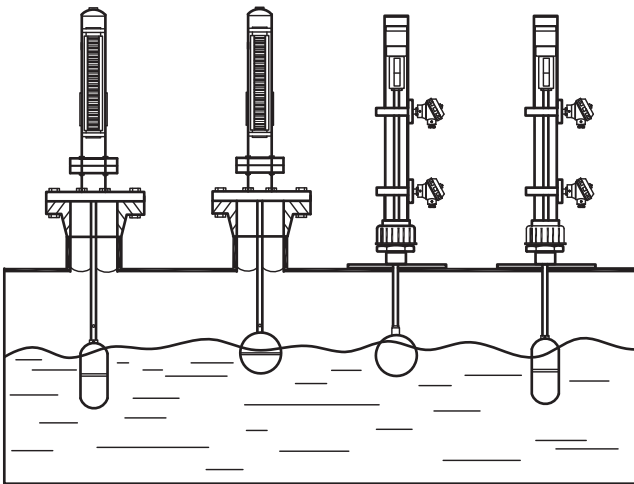
Indicating gauge orientation adjustable

Chamber Size: $\phi 50$ or $\phi 60\text{mm}$

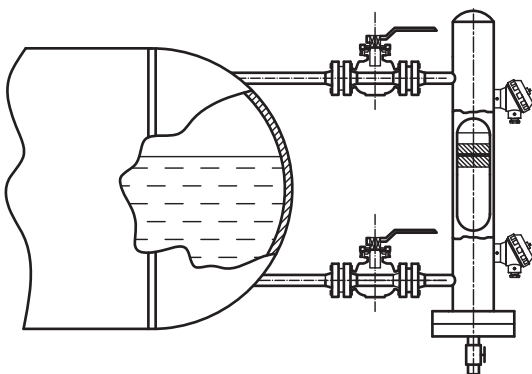


Installation

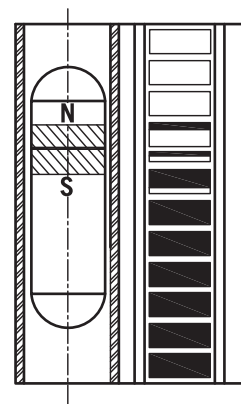
(A) Top Mounting



(B) Side Mounting



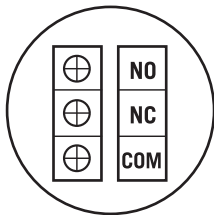
Principle



Switch Function

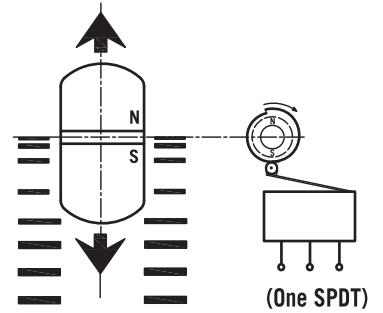
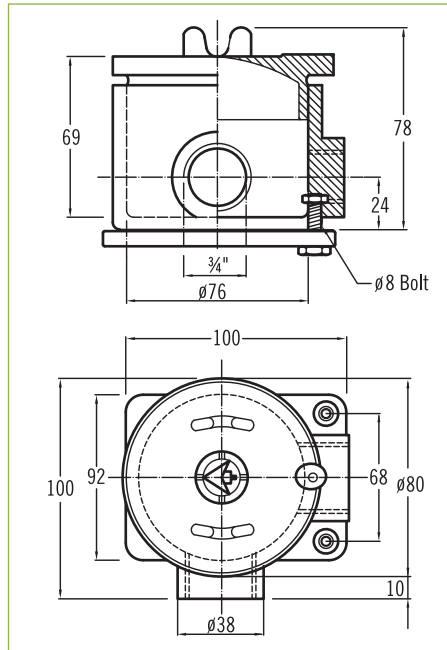
Micro Switch Type

Protection: Explosion proof, EExdIICT6, IP65
Micro Switch: 1xSPDT;
 2xSPDT (one setting point) available
Rating: 3A/250VAC, 3A/30VDC, 0.4A/125VDC



Wire Drawing

Dimensions



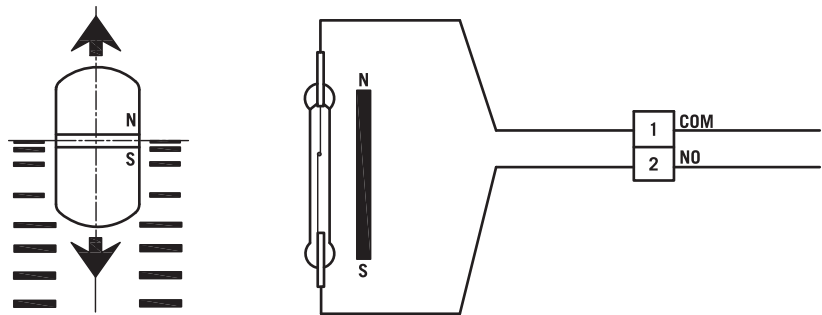
Option: 2 SPDT switch on request

NC	6
NO	5
COM	4
NC	3
NO	2
COM	1

(Two SPDT)

Reed Switch Type (SPST)

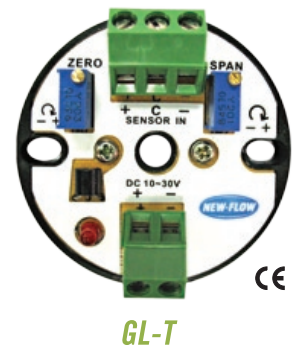
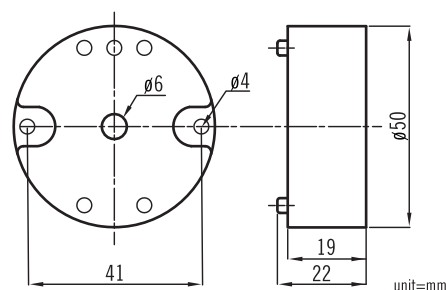
Alarm Switch: form A N.O. type bistable switch
Rating: AC 125V 0.5A / DC 100V 10W
 / Max. DC 250V < 10mA



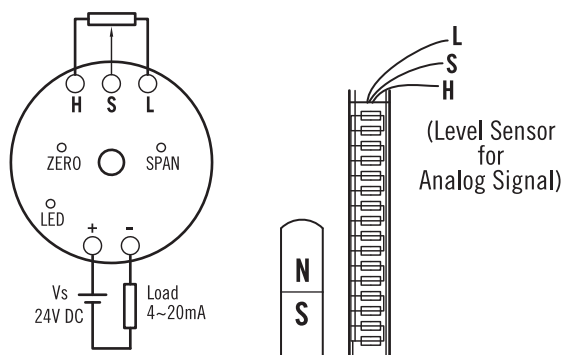
Transmitter Type

Potentiometer I/P
Output Signals: 4~20mA DC,
 Load resistance R_L (max)=(V_s-10)x50 Ω (2-Wire)
Input Range: 100 Ω to 45K Ω (3-Wire)
Output Adjustment Range: Zero adjustment 0~15%
Accuracy: $\pm 0.1\%$ F.S (at 23 $^{\circ}$ C)
Linearity: $\pm 0.1\%$ F.S
Supply Voltage: 10~30V DC
Temp. Coefficient: $\pm 0.02\%/^{\circ}$ C
Operating Temp.: -5 ~ +70/ $^{\circ}$ C
Operating Humidity: 0~90% RH
Terminal: DIN type
Installation: Head and wall mounting
Case Material: Nylon 6 resin (Black)
Weight: about 50 grams

Dimensions



Sketch Terminal & Level Indicating Strip



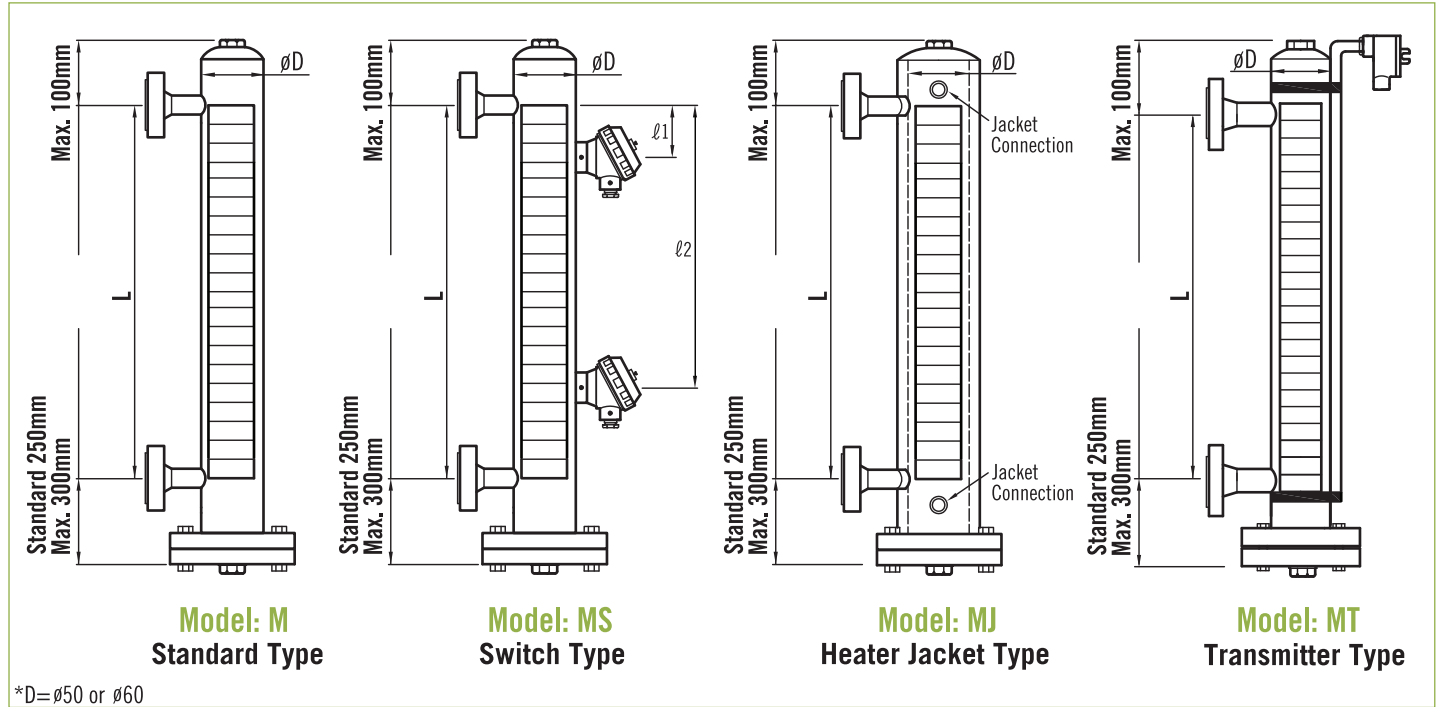
Features

- ISO 9001 and CE certificate
- High immunity to external noise
- LED indication and DC power polarity protection
- High reliability, lasting durability and low cost

Application

- Position of valve, damper and other devices

M Standard Type—Side Mounting Series

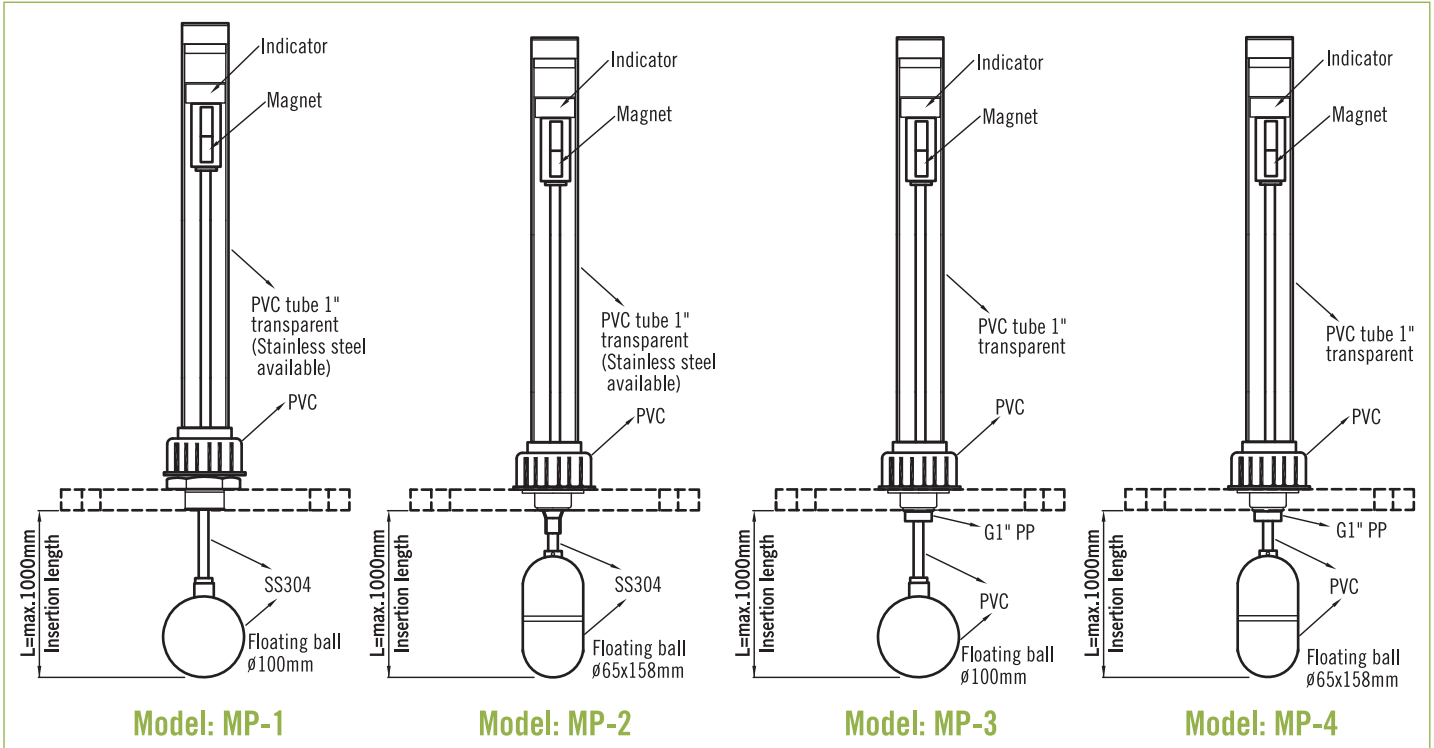


Ordering Information

M Type	Code	Model																	
	M	Standard type	MS	Switch type	MJ	Heater jacket type	MT	Transmitter Type											
		Code	Connection																
		A	½"	B	¾"	C	1"	D	1½"	E	2"	F	3"	G	Option				
		Code	Connection Rating																
			(1) PTM (2) NPTM (3) JIS 10K (4) JIS 20K (5) ANSI 150# (6) ANSI 300# (7) PN16 (8) PN40 (9) Option																
		Code	Material of Wetted Parts																
		A	SS304	B	SS316	C	SS316L	D	P.V.C	E	P.P	F	PE	G	PVDF	H	Option		
		Code	Material of Indicating Case																
		1	Aluminum		2	SS304													
		Code	Material of Indicating Strips																
		A	Plastic		B	Aluminum		C	Brass										
		Code	Switch Type																
		1	Reed Switch		2	Micro Switch		3	Option		0	Without Switch							
		Code	Switch Point																
			(A) 1 (B) 2 (C) 3 (D) 4 (0) Without																
		Code	Transmitter Type																
			(1) 4~20mA Transmitter (2) Without																
		Code	Scale Plate																
		A	Yes		B	Without													
		Code	Switch or Transmitter Housing																
			(1) Weather proof IP65 (2) Explosion proof																
		Code	Specific Gravity																
			Please directly fill out the Sp. Gr. in the of liquid order code.																
		Code	Setting Point & Switch Acting Functions																
			Please fill in the requested length and float rised ↑ ON or fall down ↓ ON																
			l1=	mm	<input type="checkbox"/>	ON	l2=	mm	<input type="checkbox"/>	ON	l3=	mm	<input type="checkbox"/>	ON	l4=	mm	<input type="checkbox"/>	ON	
M Type																			Complete Ordering Code

WWW.NEW-FLOW.COM • TEL: 886-7-8135500 • FAX: 886-7-8225588 • Email: info@new-flow.com

MP Type—Top Mounting Transparent Series

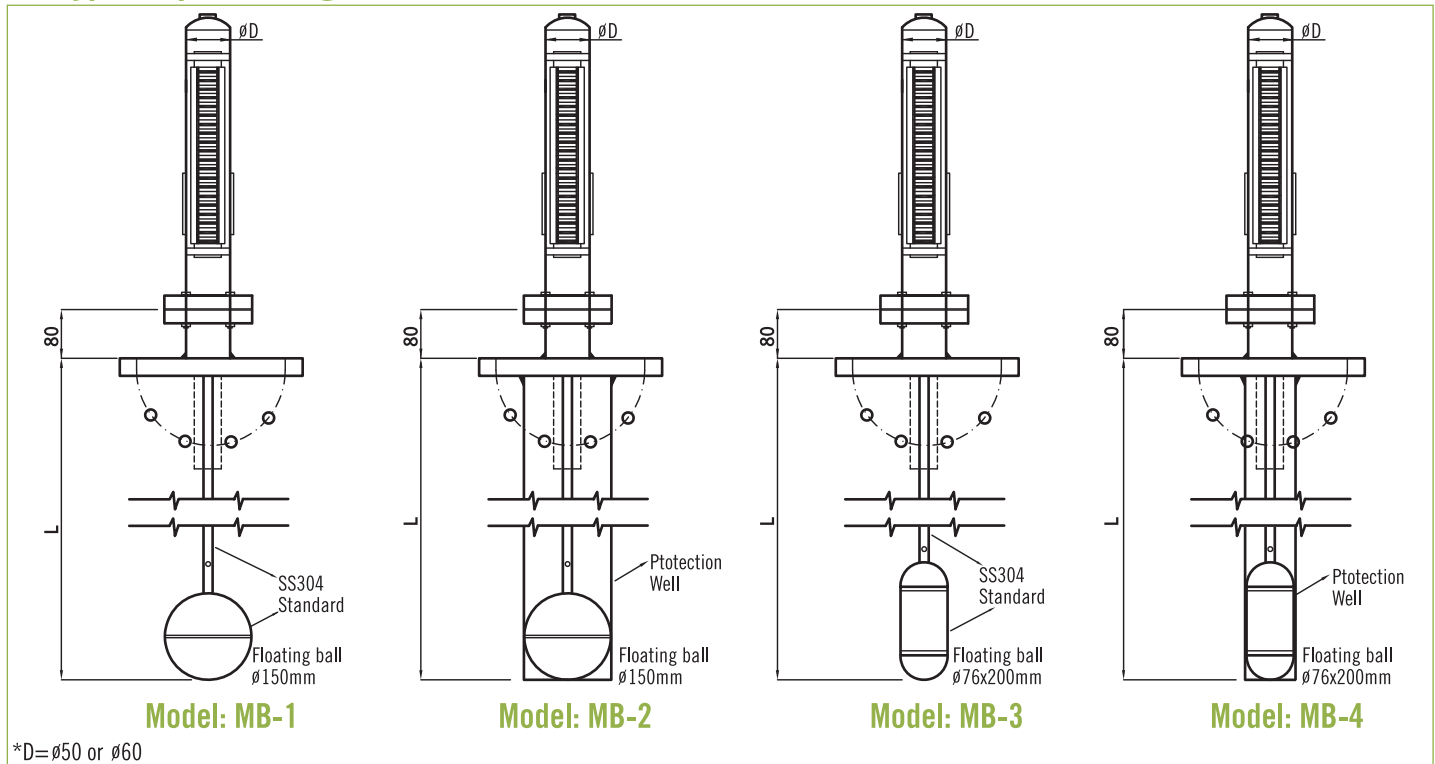


WWW.NEW-FLOW.COM • TEL: 886-7-8135500 • FAX: 886-7-8225588 • Email: info@new-flow.com

Ordering Information

MP Type	Code	Model
		MP-1 MP-2 MP-3 MP-4
		Code Connection
	A	3" B 4" C Option
		Code Connection Rating
		(1) PTM (2) NPTM (3) JIS 10K (4) ANSI 150# (5) PN16
		Code Material of Wetted Parts
	A	SS304 B SS316 C SS316L D P.V.C E P.P F PE G PVDF H Option
		Code Material of Indicating Case
	1	P.V.C tube transparent 2 Blind SS304 3 Blind SS316
		Code Switch Type
	1	Reed Switch 2 Micro Switch 3 Option 0 Without Switch
		Code Switch Point
		(A) 1 (B) 2 (C) 3 (D) 4 (0) Without
		Code Transmitter Type
		(1) 4~20mA Transmitter (2) Without
		Code Scale Plate
	A	Yes B Without
		Code Switch or Transmitter Housing
		(1) Weather proof IP65 (2) Explosion proof
		Code Specific Gravity
		Please directly fill out the Sp. Gr. in the of liquid order code.
		Code Setting Point & Switch Acting Functions
		Please fill in the requested length and float rised ↑ ON or fall down ↓ ON
		ℓ1= ___mm <input type="checkbox"/> ON ℓ2= ___mm <input type="checkbox"/> ON
		ℓ3= ___mm <input type="checkbox"/> ON ℓ4= ___mm <input type="checkbox"/> ON
MP Type		Complete Ordering Code

MB Type-Top Mounting Series



*D=ø50 or ø60

Ordering Information

MB Type	Code	Model
		MB-1 MB-2 MB-3 MB-4
		Code Connection
	A	3" B 4" C Option
		Code Connection Rating
		(1) JIS 10K (2) JIS 20K (3) ANSI 150# (4) ANSI 300# (5) PN16 (6) PN40 (7) Option
		Code Material of Wetted Parts
	A	SS304 B SS316 C SS316L D P.V.C E P.P F PE G PVDF H Option
		Code Material of Indicating Case
	1	Aluminum 2 SS304
		Code Material of Indicating Strips
	A	Plastic B Aluminum C Brass
		Code Switch Type
	1	Reed Switch 2 Micro Switch 3 Option 0 Without Switch
		Code Switch Point
		(A) 1 (B) 2 (C) 3 (D) 4 (0) Without
		Code Transmitter Type
		(1) 4~20mA Transmitter (2) Without
		Code Scale Plate
	A	Yes B Without
		Code Switch or Transmitter Housing
		(1) Weather proof IP65 (2) Explosion proof
		Code Specific Gravity
		Please directly fill out the Sp. Gr. in the of liquid order code.
		Code Setting Point & Switch Acting Functions
		Please fill in the requested length and float rised ↑ ON or fall down ↓ ON
		ℓ1= ___mm <input type="checkbox"/> ON ℓ2= ___mm <input type="checkbox"/> ON
		ℓ3= ___mm <input type="checkbox"/> ON ℓ4= ___mm <input type="checkbox"/> ON
MB Type		Complete Ordering Code