

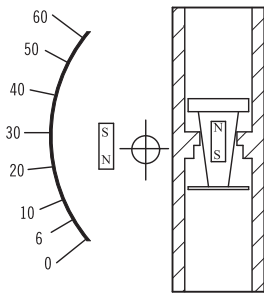
PLASTIC TUBE FLOW METER MPF200

Technical Data

Service: Air, gases, water, waste water and other liquid
Material: Case-SS316; Body-PVC, CPVC; Float-SS316
Indication: via magnetic coupling (no seals)
Scales: calibrated in l/h, m³/h, kg/h, %
Flow rate: water-0.4 l/h up to 1,000 l/h,
 Air-21 NL/h up to 30,000 NL/h
Connection types: Thread BSP, NPT
Max. working temperature: PVC - 40°C; CPVC - 0°C~60°C
Max. working pressure: Standard 20 kg/cm²;
 other options upon request
Connection size: 1/4" ~ 1/2" NPT or BSP
Protection class: IP65
Accuracy: ± 2% FS (± 1.6% FS option)



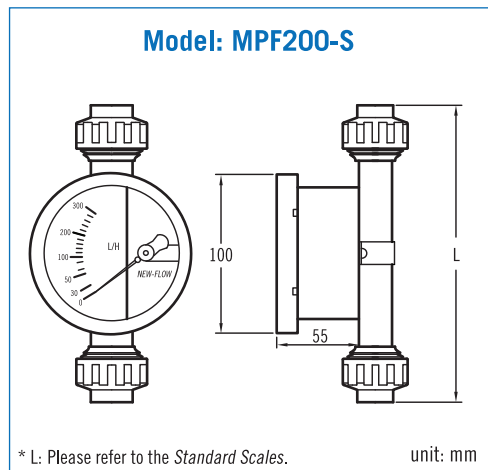
Principle



Dimensions

MPF200-S

Basic Model: Thread Connection



Standard Scales

A. Float Material: SS316

Tube	L/H 20°C Water	NL/H Air 20°C 1.013 bar	ΔPmm Water	BSP/NPT	Thread Type L (mm)	Accuracy (NOTE 1.)
MPF2001	0.4 ~ 4	21 ~ 210	340	1/2"	158	±6% F.S
MPF2002	0.6 ~ 6	33~330	340	1/2"	158	±3% F.S
MPF2003	1 ~ 10	48~480	340	1/2"	158	±2% F.S
MPF2004	1.5 ~ 15	60~600	340	1/2"	158	±2% F.S
MPF2005	2 ~ 20	72~720	340	1/2"	158	±2% F.S
MPF2006	3 ~ 30	90~900	340	1/2"	158	±2% F.S
MPF2007	5 ~ 50	120~1200	340	1/2"	158	±2% F.S
MPF2008	6 ~ 60	180~1800	340	1/2"	158	±2% F.S
MPF2009	10 ~ 100	300~3000	340	1/2"	158	±2% F.S
MPF2010	15 ~ 150	500~5000	340	1/2"	158	±2% F.S
MPF2011	25 ~ 250	750~7500	340	1/2"	158	±2% F.S
MPF2012	40 ~ 400	1200~12000	340	1/2"	158	±2% F.S
MPF2013	60 ~ 600	1800~18000	340	1/2"	158	±2% F.S
MPF2014	75~750	2000~20000	340	1/2"	175	±2% F.S
MPF2015	100 ~ 1000	3000~30000	340	1/2"	175	±2% F.S

NOTE.

1. The accuracy ±6% F.S for tube MPF2001; The accuracy ±3% F.S for tube MPF2002. The accuracy ±2% F.S for tube MPF2003~MPF2015 and option ±1.6% F.S on request.
2. Performance Technical Data are effective with date of issue and are subject to change without prior notice.

