

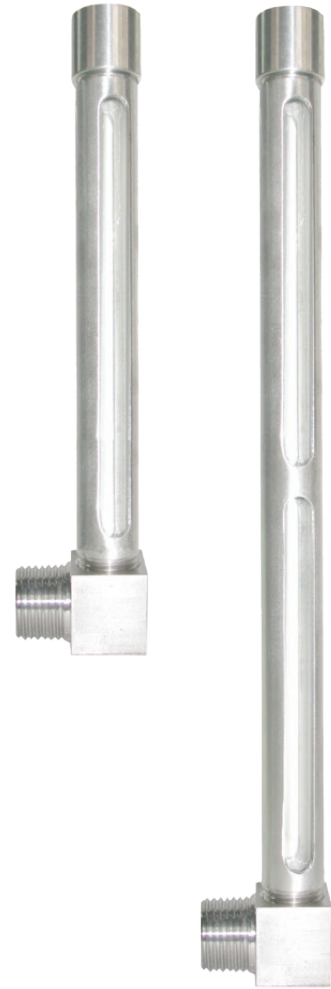
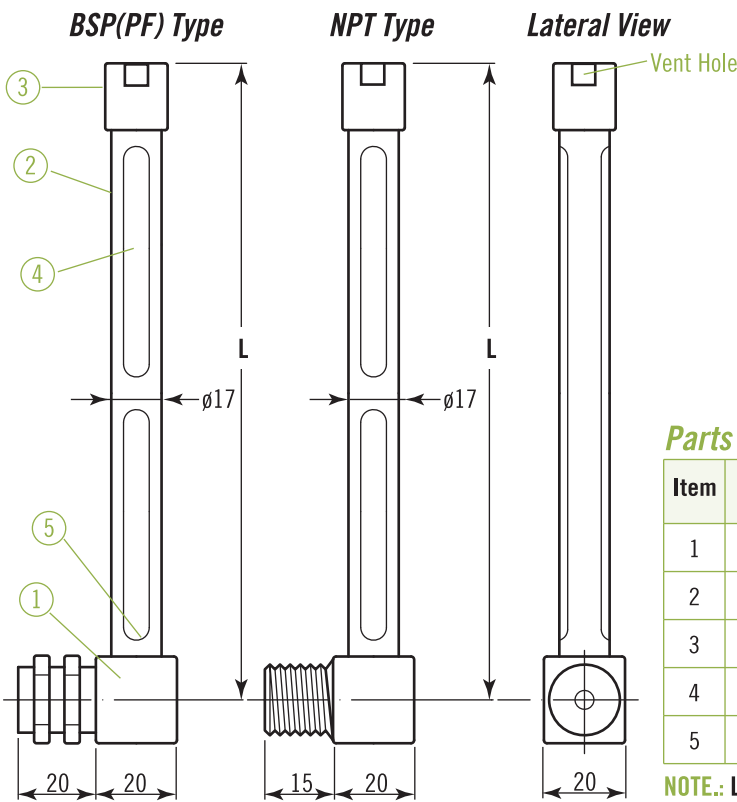
MINI SIZE LEVEL GAUGE

MLG SERIES

Technical Data

Application: for Oil tank, mini size tank
Material: Copper, stainless steel 304, stainless steel 316 available
Connection type: NPT, BSP (PF) available
Connection size: 1/4", 3/8", 1/2" available
Gauge length: standard 150mm or 250mm, option available

Dimensions



Parts List

Item	Description of Parts	Material	Remark
1	Body	Copper; SS304; SS316; option	
2	Protect Tube	Copper; SS304; SS316; option	
3	Nut	Copper; SS304; SS316; option	
4	Indicating Tube	Glass	
5	Seal	Viton	

NOTE: L= standard 150mm or 250mm, option available

Ordering Information

MLG	Code	Process Connection Size
		(A) 1/4" BSP (B) 1/4" NPT (C) 3/8" BSP (D) 3/8" NPT (E) 1/2" BSP (F) 1/2" NPT (G) option
		Code Material
		(1) Copper (2) SS304 (3) SS316 (4) option
		Code Gauge Length (L)
		(A) 150mm (B) 250mm (C) option
MLG		Complete ordering code