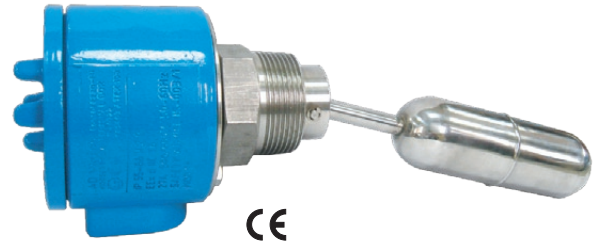


# HORIZONTAL MAGNETIC LEVEL SWITCH EXPLOSION PROOF LXT201 Thread Type

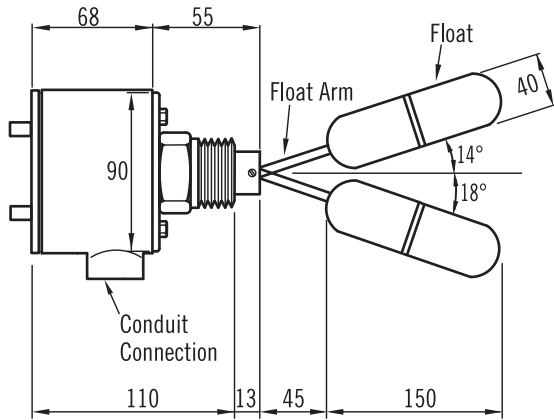
## Technical Data

**Enclosure housing:** Explosion proof- EEx d II C T6, IP65  
**Process connection:** 1½"~3"NPT male, thread type  
**Material:** Wetted parts 316 stainless steel  
**Pressure limits:** 3.0 MPa (30 kg/cm<sup>2</sup>), option: up to 4.5 MPa  
**Float working specific gravity:** ≥0.7  
 (option: less than 0.7 available on request)  
**Maximum temperature:** -20°C to +150°C  
**Switch function:** Micro switch 1 x SPDT; 2 x SPDT option  
**Switch rating:** 3A/250VAC, 3A/30VDC, 0.4A/125VDC  
**Conduit connection:** ½"NPT, ¾"NPT female, option available

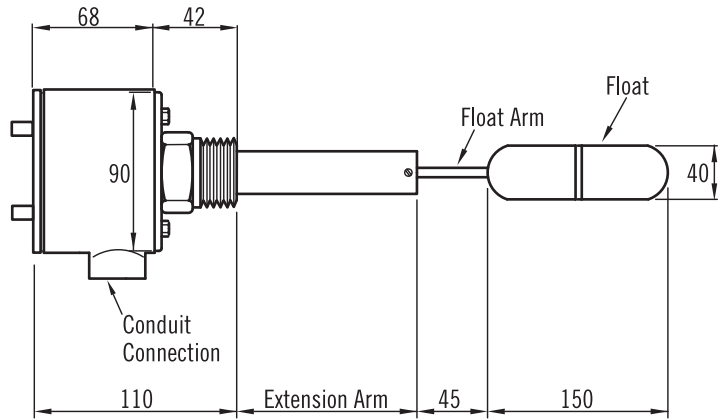


## Dimensions

### Standard Type



### Extension Arm Type

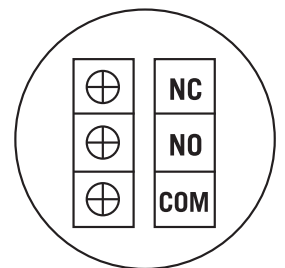


\*Option: Extension arm specify length available (standard 150mm).

unit=mm

## Ordering Information

LXT201	<b>Code</b>	<b>Type</b>		
	S	Standard type	E	Extension Arm Type
		<b>Code</b>	<b>Process Connection Size</b>	
			(1) 1½" (2) 2" (3) 3" (4) Option	
		<b>Code</b>	<b>Process Connection Rating - Male</b>	
			(A) NPT (B) Option	
		<b>Code</b>	<b>Conduit Connection Size</b>	
			(1) ½"NPT (2) ¾"NPT (3) Option	
		<b>Code</b>	<b>Wetted Parts Material</b>	
			(1) SS316 (2) Option	
	<b>Code</b>	<b>Switch Function- Micro Switch</b>		
	1	One switch, SPDT x 1		
	2	Two switch, SPDT x 2		
LXT201				<b>Complete Ordering Code</b>



Wire Drawing