

# HORIZONTAL MAGNETIC LEVEL SWITCH

## LT202 Flange Type *SQUARE FLANGE*

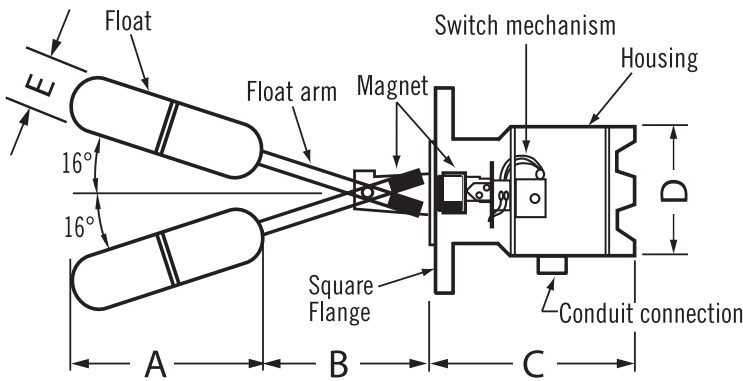
LT202 float-operated level switches are suitable for controlling liquid level at horizontal mounting. The float equipped with an extended arm moves a couple magnetic mechanism to actuate a microswitch to offer an ON-OFF contact for application.

### Technical Data

- Enclosure housing:** Weather proof IP65
- Material:** Wetted parts SS316 or SS304
- Temperature limits:** -20°C to +150°C
- Pressure limits:** 3.0 MPa (30 kg/cm<sup>2</sup>), option: up to 4.5 MPa
- Switch function:** Micro switch 1 x SPDT; 2 x SPDT option
- Switch rating:** 3A/250VAC, 3A/30VDC, 0.4A/125VDC
- Conduit connection:** ½" NPT female, option
- Float working specific gravity:** ≥0.7  
(option: less than 0.7 available on request)



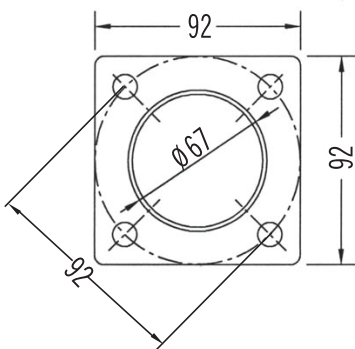
### Dimensions



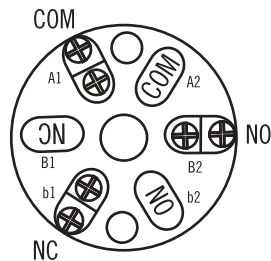
unit=mm

A	B	C	D	E
150	92	102 Approx.	64	40

**NOTE.**  
 1. Special dimensions on request.  
 2. Extension length for **B** is available.



Square Flange



Wire Drawing

### Accessory-Test Device

**NOTE.**  
Please advise us if you require the test device.

unit=mm

### Ordering Information

LT202	Code	Type
	S	Standard type
	T	With test device
	<b>Code</b>	<b>Square Flange Material</b>
	(1)	SS316
	(2)	SS304
	(3)	option
	<b>Code</b>	<b>Switch Function- Micro Switch</b>
	1	One switch, SPDT x 1
	2	Two switch, SPDT x 2
LT202		Complete Ordering Code