

# VARIABLE AREA TYPE FLOW METER (ROTAMETER)

## KB TYPE

### Operation Principle

The variable area flow meter contains a float & taper tube. The fluid flow through the taper tube and forces up to the float. The flow rate is measured as a function of the area of the opening. This area is displayed in the indicating ring as the float that is free to move to produce the varying area.

### Application

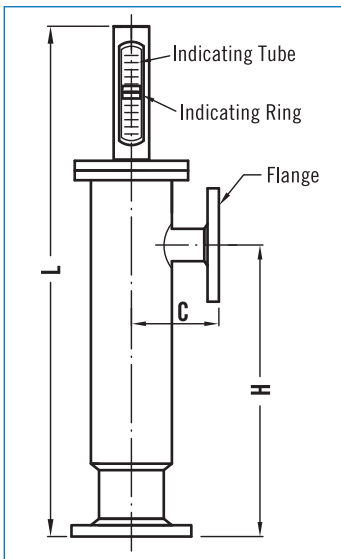
#### A. Measuring the flow rate for:

- Chemical process system
- Water treatment system
- Industrial flow system

#### B. Service Condition:

- Viscosity: ≤100cP
- Max working temperature: 150°C
- Max working pressure: 100 kg/cm<sup>2</sup> (according to flange rating)

### Dimensions



Standard Range Table & Dimensions

unit=mm

Size	Range	H2O (max.) M <sup>3</sup> /H	AIR (max.) Nm <sup>3</sup> /H	DIMENSION			
				L	H	C	Flange
15A	0.06 ~ 0.6	1 ~ 12	380	200	80	½"	
20A	0.12 ~ 1.2	2 ~ 20	380	200	80	¾"	
25A	0.3 ~ 3	5 ~ 50	400	210	80	1"	
32A	0.6 ~ 6	10 ~ 100	400	210	80	1¼"	
40A	1.2 ~ 12	20 ~ 200	400	210	100	1½"	
50A	2 ~ 20	30 ~ 300	430	220	100	2"	
65A	3 ~ 30	40 ~ 400	430	220	100	2½"	
80A	5 ~ 50	50 ~ 500	580	300	120	3"	
100A	7 ~ 70	60 ~ 600	720	400	150	4"	
125A	10 ~ 100	80 ~ 800	800	430	180	5"	
150A	15 ~ 150	100 ~ 1000	850	450	200	6"	



### Ordering Information

KB-TYPE	Code	Model	Code	Float Material	
	KBS	stainless steel wetted parts		(1) SS304 (2) SS316	
↓	Code	Size	↓	Code	Seal Material
		(1) 15A (2) 20A (3) 25A (4) 32A (5) 40A (6) 50A (7) 65A (8) 80A (9) 100A (10) 125A (11) 150A			
↓	Code	Connection Rating	↓	Code	Protection Supporter Material
		(1) JIS 10K (2) JIS 20K (3) ANSI 150# (4) ANSI 300# (5) DIN PN40			
↓	Code	Body (wetted parts) Material	↓	Code	Fluid
		(1) SS304 (2) SS316 (3) Option			L
↓	Code	Indicating Tube Material	↓	G	for gas
		(1) Glass (2) PC			
				Code	Flow Range
				Please directly fill out the flow range in the order code.	
KB-TYPE			+		