

# PADDLE WHEEL LIQUID FLOW METER

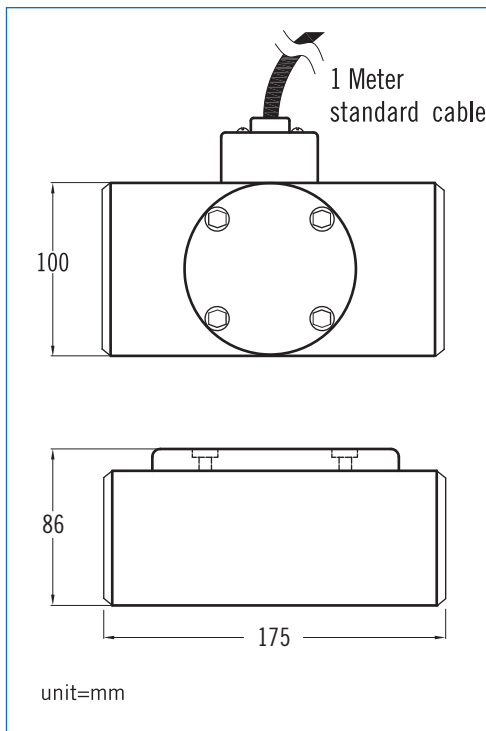
## HF200

### Technical Data

- Connecting size:** 1½” NPT female standard
- Power supply:** 3.8V to 30VDC
- Output:** Sink(NPN)
- Material:** Body-polypropylene  
Cover,PP,PTFE available  
Rotor-PVDF  
Shaft-HC276  
Bearings-PVDF
- O-ring:** Viton
- Max.temperature:** 70°C
- Max.pressure:** Polypropylene and PTFE-10kg/cm<sup>2</sup>  
PVDF-15kg/cm<sup>2</sup>
- Accuracy:** ±2%F.S



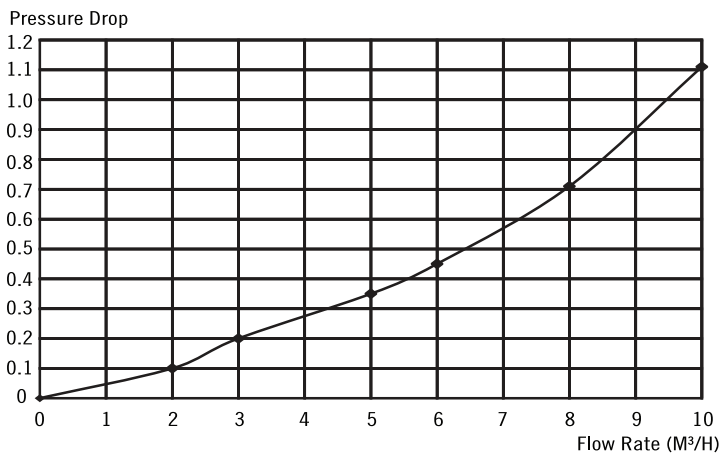
### Dimensions



### Range Table

Size	Flow Rates /M <sup>3</sup> H	Nominal Factors Per Liter
1½”	1~10	7.1

### Pressure Drop: 1½”



### Ordering Information

HF200	Code	Process connection size
		(1) 1½”
	<b>Code</b>	<b>Body material</b>
	A	Polypropylene
	B	PVDF
	<b>Code</b>	<b>Cove Material</b>
	(1) P.P (2) PVDF	
<b>HF200</b>		<b>Complete ordering code</b>