

FLOW SWITCH FS20 FS20R & FS20 Din – Weather Proof FS20X – Explosion Proof



FS-20R



FS-20 DIN



FS-20X

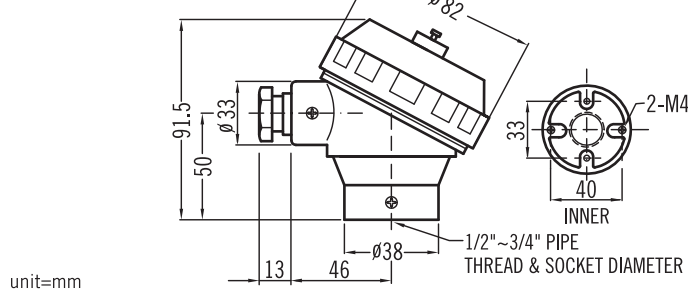
Technical Data

Size: From ½" to 1"
Service: For liquid fluid
Material: Wetted parts 316 stainless steel
Temperature Limit: -20 to 150°C
Pressure Limit: 7.0 MPa (70 kg/cm²)
Enclosure housing: FS20R & FS20 Din – Weather Proof IP65
 FS20X – Explosion Proof. EExdIIC T6
Switch function: SPDT micro switch
Switch rating: 3A/250VAC, 3A/30VDC, 0.4A/125VDC
Conduit Connection: ¾"NPT female, option available

Head Type

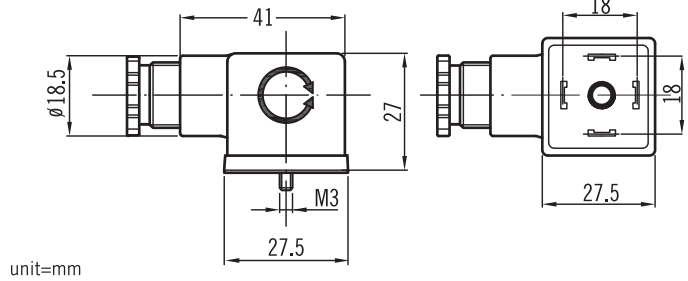
FS20R–Weather Proof IP65

Material: Aluminum Alloy



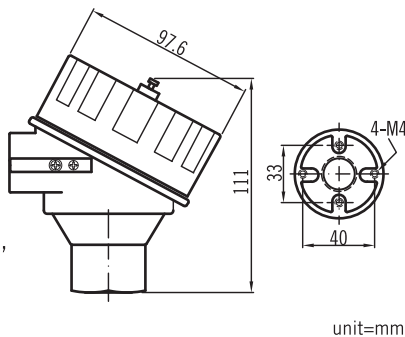
FS20 Din–Weather Proof IP65

Material: Thermoplaastic Rubber
Cable Gland: PG9
Connector: DIN43650

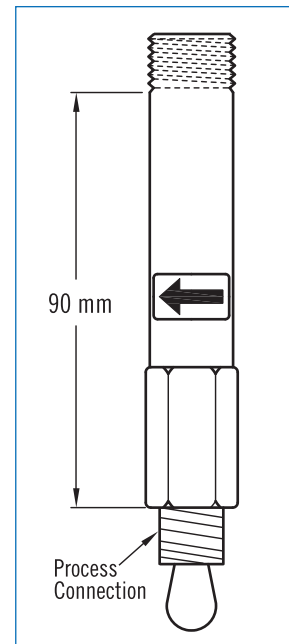


FS20X–Explosion Proof

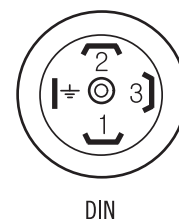
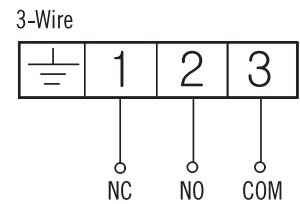
Material: Aluminum Alloy- standard;
 SS316 available
ATEX directive code: II 2 G D
Standard code: Ex d IIC T6,
 Ex tD A21,
 T100°C IP6x Ta= -20°~+40°C
FM Approvals: XP/II/1/ABCD/T6;
 DIP/II, III/1/EFG/T6; Type 4X,
 Explosion proof for Class I,
 Division 1, Groups A,B,C and D;
 and dust-ignition proof for class II,
 III, Division 1, Groups E,F and G,
 hazardous (classified) locations;
 indoor/outdoor (NEMA Type 4X).



Dimensions



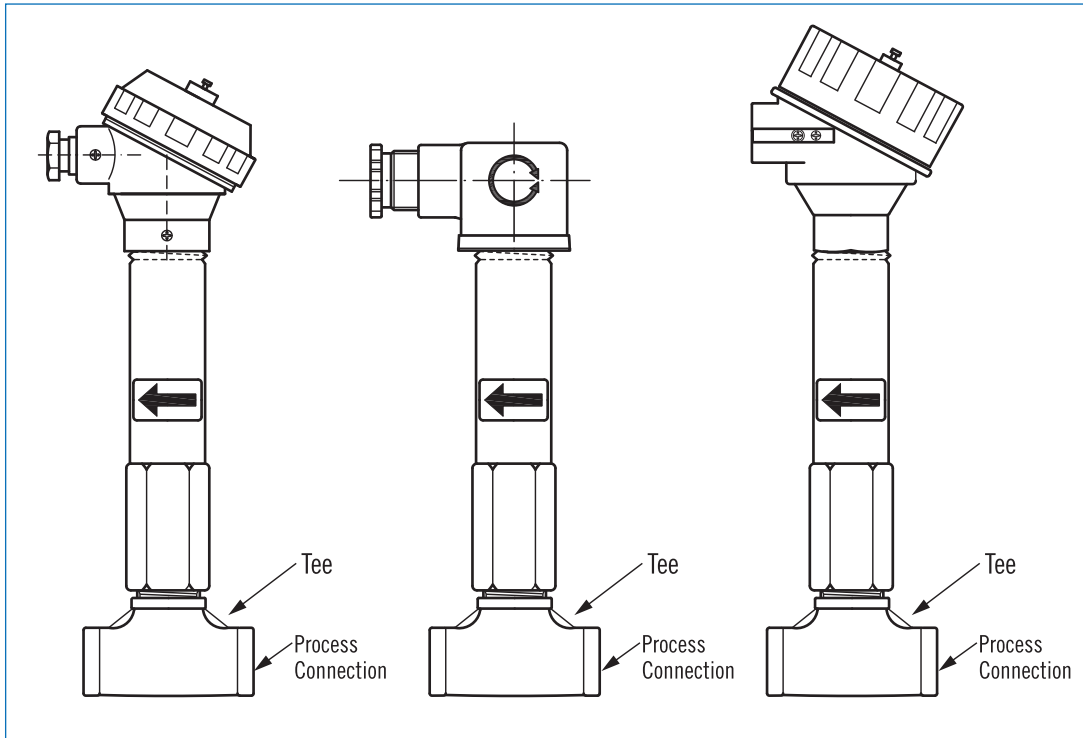
Connection Diagram



Flow Rate Table

Process Connection (male)	Flow Rates Required Water at 25°C	
	Acuate(on) ℓ/hour	Deacuate(off) ℓ/hour
1/2"NPT	190,...210	130,...150
3/4"NPT	320,...350	250,...270
1"NPT	435,...450	385,...395

With Tee Drawings



Ordering Information

Model	FS-20R	FS-20 DIN	FS-20X
↓	Code	Process Connection	
	A	With Tee (Material: SS316)	
		(1) 1/2"NPT (2) 3/4"NPT (3) 1"NPT	
	B	Without Tee	
	(4) 1/2"NPT (5) 3/4"NPT (6) 1"NPT		
↓	↓	Complete ordering code	
		<input type="text"/> <input type="text"/>	