

# THREAD TYPE DIAPHRAGM SEAL

## DT108

DT108 diaphragm seal is designed low cost type to be used in highly viscous process media such as pulp, paper, waste water treatment, and plastic/chemical process industries. DT108 is easy to assemble with pressure gauges, pressure switches, and pressure instruments.

### Technical Data

**Instrument connection:** female thread 1/4" to 1/2" BSP or NPT

**Process connection:** 1/4" to 1/2" Thread BSP or NPT

**Temperature limited:** -40~+150°C cooling element or capillary line up to 350°C

**Pressure range limited:** Maximum up to 40 kg/cm<sup>2</sup>  
Minimum -760 mmHg ~0, 0~0.6 kg/cm<sup>2</sup>

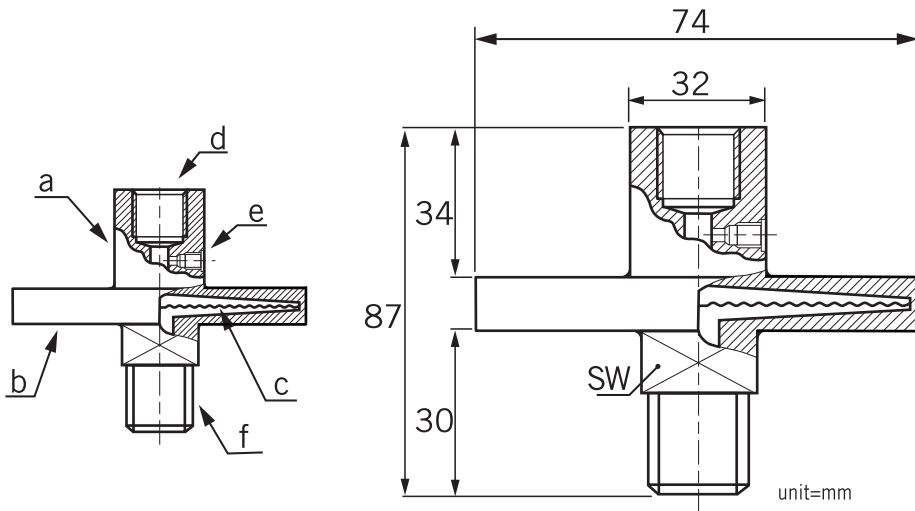
**Material:** Upper & Lower housing-SS316 (standard), others on request

**Membrane:** SS316L (standard); Options- Hastelloy C276, tantalum, and others on request.



### Dimensions

Item	Description of Parts
a	Upper housing
b	Lower housing
c	Membrane
d	Instrument connection
e	Filling port
f	Process connection



### Ordering Information

DT108	Code	Instrument Connection (Female)
		(A) 1/4" BSP (B) 1/4" NPT (C) 3/8" BSP (D) 3/8" NPT (E) 1/2" BSP (F) 1/2" NPT
		<b>Code</b> <b>Process connection rating</b>
		(1) 1/4" BSP (2) 1/4" NPT (3) 3/8" BSP (4) 3/8" NPT (5) 1/2" BSP (6) 1/2" NPT (7) Option
		<b>Code</b> <b>Thread</b>
		(M) Male (F) Female
		<b>Code</b> <b>Upper housing material</b>
		(S) SS316(standard) (0) Option
		<b>Code</b> <b>Lower housing material</b>
		(S) SS316(standard) (0) Option
		<b>Code</b> <b>Membrane material</b>
		(1) SS316L (2) Hastelloy C276 (3) Tantalum (4) Option
DT108		Complete ordering code