

THREAD TYPE DIAPHRAGM SEAL

DT104

DT-104 diaphragm seal is designed to be used in highly viscous process industries. It is easy to assemble with pressure gauges, pressure switches, and pressure instruments.

Technical Data

Instrument connection: female thread 1/4" to 1/2" BSP or NPT

Process connection: 1" to 2" NPT male thread

Temperature limited: -40~+150°C

Pressure range limited: (for pressure gauge)

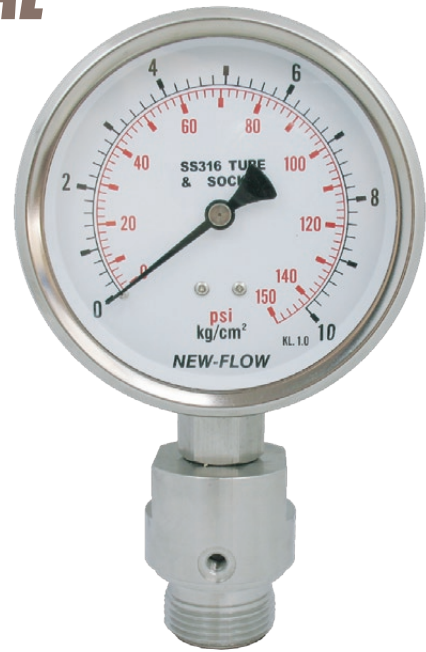
Size	1"	1½"	2"
MINIMUM LIMITED (kg/cm ²)	0~10	0~4	0~1.6
MAXIMUM LIMITED (kg/cm ²)	0~60	0~40	0~16

Material: body-SS316(standard)

Option: SS316L, Hastelloy C276, and others on request

Membrane: SS316L(standard)

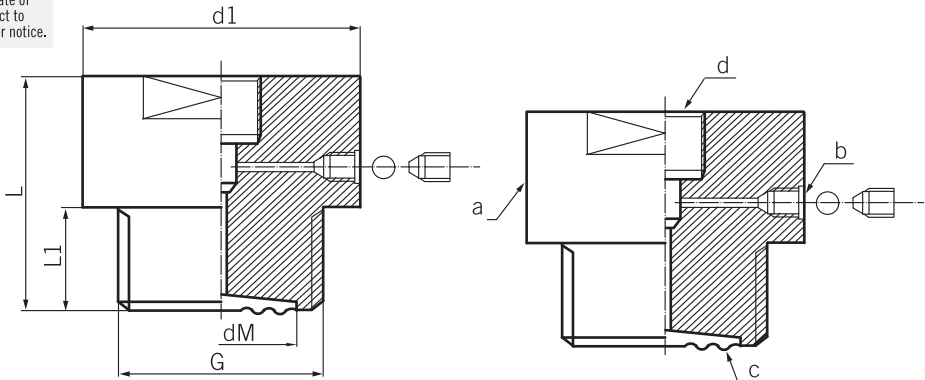
Option: Hastelloy C276, tantalum and others on request



Dimensions

Item	Description of Parts
a	Body housing
b	Filling port
c	Membrane
d	Instrument connection

NOTE
Performance Technical Data are effective with date of issue and are subject to change without prior notice.



unit=mm

Dimensional Data

G	1"NPT	1½"NPT	2"NPT
dM	23	32	38
L	65	65	65
L1	28	30	30
d1	30	44	56

Ordering Information

DT104	Code	Instrument Connection (Female)
		(A) 1/4"BSP (B) 1/4"NPT (C) 3/8"BSP (D) 3/8"NPT (E) 1/2"BSP (F) 1/2"NPT
		Code Process connection (Male)
		(1)1"NPT (2) 1½"NPT (3) 2"NPT
		Code Body material
		(S) SS316 (standard) (O) Option
		Code Membrane material
		(1) SS316L (2) Hastelloy C276 (3) Tantalum (4) Option
DT104		Complete ordering code