

# THREAD TYPE DIAPHRAGM SEAL

## DT103

DT-103 diaphragm seal is designed to be used in highly viscous process industries. It is easy to assemble with pressure gauges, pressure switches, and pressure instruments.

### Technical Data

**Instrument connection:** female thread 1/4" to 1/2" BSP or NPT

**Process connection:** 1/2" to 2" BSP male thread

**Temperature limited:** -40~+150°C

**Pressure range limited:** (for pressure gauge)

Size	1/2"	3/4"	1"	1 1/2"	2"
MINIMUM LIMITED (kg/cm <sup>2</sup> )	0~25	0~10	0~4	0~1.6	-1~+1.5
MAXIMUM LIMITED (kg/cm <sup>2</sup> )	0~350	0~200	0~60	0~40	0~25

**Material:** body-SS316(standard)

Option: SS316L, Hastelloy C276, and others on request

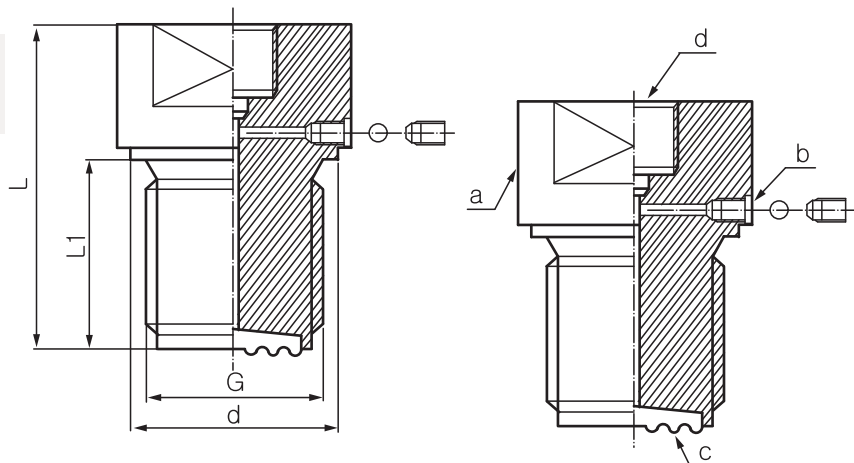
**Membrane:** SS316L(standard)

Option: Hastelloy C276, tantalum and others on request

### Dimensions

Item	Description of Parts
a	Body housing
b	Filling port
c	Membrane
d	Instrument connection

**NOTE**  
Performance Technical Data are effective with date of issue and are subject to change without prior notice.



unit=mm

### Dimensional Data

G	1/2"BSP	3/4" BSP	1"BSP	1 1/2"BSP	2"BSP
d	-	32	39	55	68
L	55	56	55	65	70
L1	20	20	21	30	30

### Ordering Information

DT103	Code	Instrument Connection (Female)
		(A) 1/4"BSP (B) 1/4"NPT (C) 3/8"BSP (D) 3/8"NPT (E) 1/2"BSP (F) 1/2"NPT
		<b>Code</b> <b>Process connection (Male)</b>
		(1) 1/2" BSP (2) 3/4" BSP (3) 1" BSP (4) 1 1/2" BSP (5) 2" BSP (6) Option
		<b>Code</b> <b>Body housing material</b>
		(S) SS316(standard) (O) Option
		<b>Code</b> <b>Membrane Material</b>
		(1) SS316L (2) Hastelloy C276 (3) Tantalum (4) Option
DT103		Complete ordering code

