

ACRYLIC PLASTIC FLOW METER

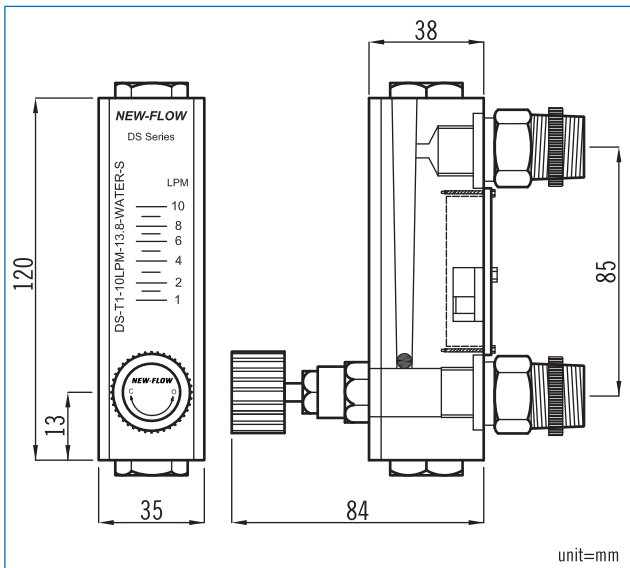
With Alarm Switch DS SERIES *with needle valve type without needle valve type*

Technical Data

- Service:** Water, Air
- Wetted parts material:** Body-Acrylic Plastic O-ring-NBR, Viton Float-magnet coating with Nickel
- Connecting material:** SS316
- Connecting size:** 1/4", 3/8" NPT & 3/8"PT female available
- Mounting:** vertical position
- Temperature & pressure limits:** 150 psig(10bar) @ 100°F(38°C)
- Temperature limit:** -24°C~+54°C
- Accuracy:** ±5% full scale
- Alarm switch:** one or two setting points, form A N.O. type bistable reed switch
- Switch rating:** AC 125V 0.5A / DC 100V 10W / Max. DC 250V<1mA
- Weight:** 0.55~0.6 kg
- (Contact setting point should be within 10% to 80% of FS)



Dimensions



Flow Direction Types



Ordering Information

DS	Code	Needle Valve	
	1	With	2 Without
		Code	Flow Range
	A-1	Water (LPH - Litter per Hour)	
		(1) 2~180 (2) 25~250 (3) 30~300 (4) 40~500	
	A-2	Water (LPM - Litter per Minute)	
		(5) 0.35~3 (6) 0.4~4 (7) 0.5~5 (8) 0.8~8	
	B	Air (LPM - Normal Litter per Minute)	
		(9) 8~80 (10) 10~100 (11) 25~250	
		Code	Alarm Switch
		1R	One setting point
		2R	Two setting points
		0	Without alarm
		Code	Process Connection
		A	1/4"NPT female
		B	3/8"NPT female
		C	3/8"PT female
		Code	Flow Direction
		BT	Bottom to Top
DS			