

# DIFFERENTIAL PRESSURE SWITCH EXPLOSION PROOF TYPE DPS2100X

**CLASS I, GROUPS A, B, C, D;  
CLASS II, GROUPS E, F, G; NEMA 4X**  
**Proof Pressure to 1000psi**  
**Adjustable Range: 3~200psi**  
**Temperature: -25 to 205°C**

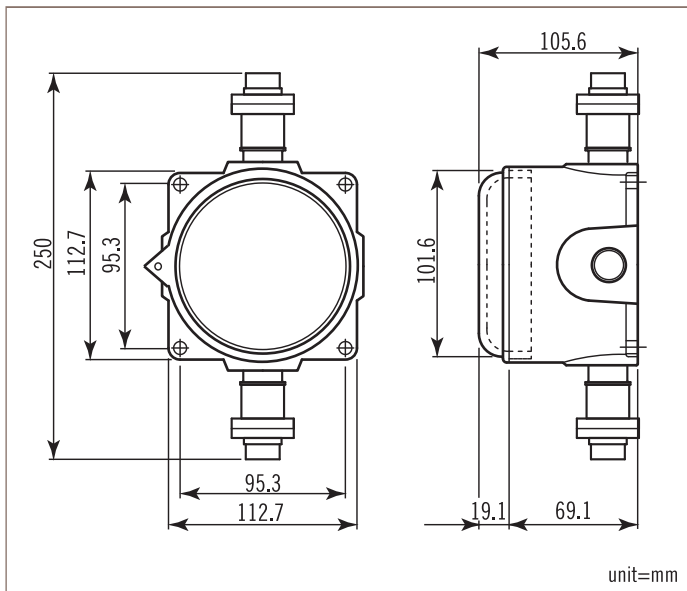


The New-Flow DPS2100X, an explosion proof pressure switch, is designed to be used in control systems. DPS2100X has high set point repeatability and narrow dead band features. A variety of range selections are available upon request. Easily adjusted to the set point, no special tools needed!

### Technical data

- Switch Data:** One SPDT Microswitch, 15amps 125/250VAC
- Housing:** die cast aluminum alloy with paint
- Conduit Connection:** 3/4" or 1/2" NPT Female
- Pressure Element:** welded type diaphragm
- Process Materials:** Wetted parts all in SS316
- Process Connection:** 1/2" or 1/4" NPT Female

### Dimensions



### Range Table

Code	Adjustable Range	Dead Band	Maximum Pressure Proof
04R	3~12psi	0.2~0.4	1000 psi
10R	3~16psi	0.2~0.5	1000 psi
20R	3~20psi	0.3~0.6	1000 psi
30R	4~58psi	0.3~0.8	1000 psi
40R	7~100psi	0.7~2.0	1000 psi
50R	14~200psi	1.4~4.0	1000 psi

### Ordering Information

DPS2100X	Code	Range	Code	Range	Code	Range	Code	Range	Code	Range	Code	Range
	04R	3~12psi	10R	3~16psi	20R	3~20psi	30R	4~28psi	40R	7~100psi	50R	14~200psi
	Code	Wetted Material										
	A	SS316										
	Code	Process Connection										
		(1) 1/2" NPT Female (2) 3/4" NPT Female										
	Code	Conduit Connection										
		(E) 3/4" NPT Female, standard (F) 1/2" NPT Female										
	Code	Switch Form										
	1	One SPDT										
DPS2100X												

**Complete Ordering Code**