

DIFFERENTIAL PRESSURE GAUGE DPH200

Weather Proof, Diaphragm Type
Range Available: 0-1-7 kg/cm² (0-15-100 PSI)

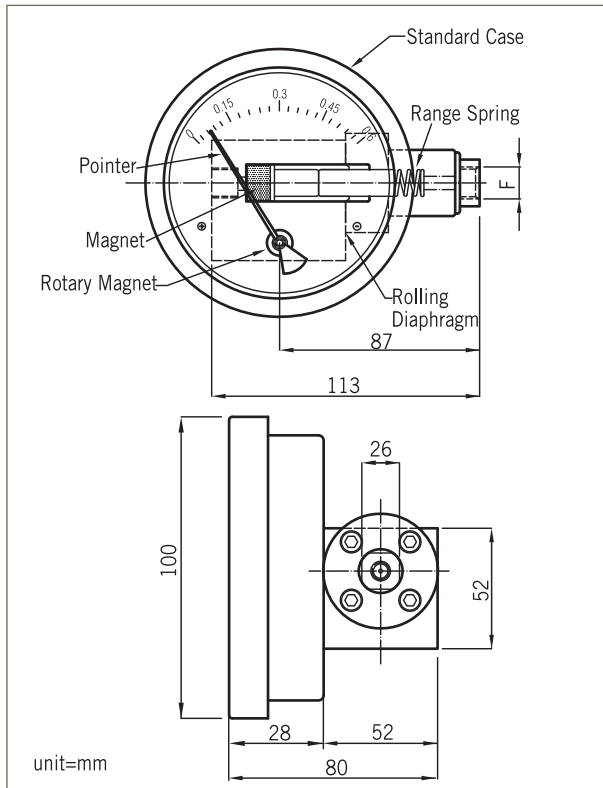
DPH200 series consist of high and low pressure ports. Spring and diaphragm as well as magnet couple with pointer. Differential pressure indicated on dial due to ΔP pressure of high side and low side be made from magnet couple with pointer.



Technical Data

- Dial Size:** ø4", ø6" available
- Accuracy:** ±2% F.S (on rising pressure)
- Housing:** SS304 stainless steel
- Housing Protectoin:** IP65
- Pressure Element:** Diaphragm- Viton; other parts all in SS316
- Process Connection:** ½" or ¼" NPT female
- Working Pressure:** 200 kg/cm
- (Both of High & Low side must be pressured on line at the same time.)
- Working Temperature:** max. 80°C

Dimensions



Range Selection Table

Code	Adjustable Range		Maximum Pressure Proof
04R	0~4 psi	0~0.25 kg/cm ²	5 psi
07R	0~7 psi	0~0.5 kg/cm ²	8 psi
09R	0~9 psi	0~0.6 kg/cm ²	10 psi
12R	0~12 psi	0~0.8 kg/cm ²	13 psi
17R	0~17 psi	0~1.2 kg/cm ²	19 psi
30R	0~30 psi	0~2 kg/cm ²	33 psi
40R	0~40 psi	0~2.5 kg/cm ²	44 psi
60R	0~60 psi	0~4 kg/cm ²	66 psi
100R	0~100 psi	0~7 kg/cm ²	110 psi

NOTE.
 If you need Flow Scale, please contact with factory.

Ordering Information

DPH200	Code	Dial Size	
		A	B
		ø4"	ø6"
		Code	Range
		04R	0~4 psi
		07R	0~7 psi
		09R	0~9 psi
		12R	0~12 psi
		17R	0~17 psi
		30R	0~30 psi
		40R	0~40 psi
		60R	0~60 psi
		100R	0~100 psi
		Code	Wetted Parts Material
		A	SS316
		Code	Process Connection
		(1)	½" NPT Female
		(2)	¼" NPT Female
DPH200			Complete Ordering Code