

# DIGITAL PRESSURE GAUGE 3"

## DPG3000T

**Pressure Unit Choices Available: psi–Bar–MPa**  
**Analog Signal, NPN Limit Switch Available**  
**Zero Offset**  
**LCD Digital Display**  
**ISO 9001**

The New-Flow DPG3000T Digital Pressure Gauge offers  $\pm 0.5\%$  full scale accuracy, while SS316 wetted part provides a variety of applications in media of fluids and gases for the industrial field and the commercial field.

### Technical Data

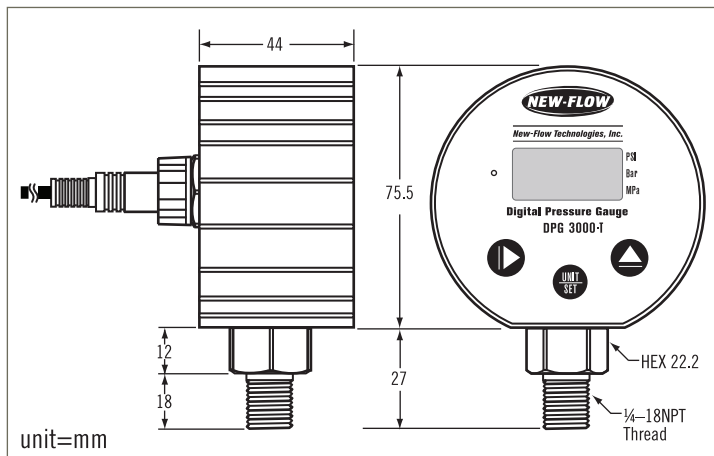
- Peak Hold**
- zero adjustment**
- Accuracy:**  $\pm 0.5\%$  of full scale ( $\pm 1\%$  of full scale for 15 & 50 psi)
- LCD Display:** 30X 14.5cm, with 4 digits
- Dimension:** 3", H11.5 X W4.5cm
- Operating Temperature:** -10 to 60°C
- Over Pressure:** 2 times of F.S.
- Process Connections:** 1/4" NPT Male, standard
- Connection Material:** SS316
- Multiple Pressure Limit:** Psi, Bar, MPa
- Power Supply:** 10~30 VDC
- Output Mode:** 4~20mA with NPN limit switch



### Range Table

Pressure Range	Accuracy	Resolution		
		PSI	Bar	MPa
15 PSI	Tpy. $\pm 1\%$ F.S.	0.01	0.001	0.001
50 PSI	Tpy. $\pm 1\%$ F.S.	0.01	0.001	0.001
100 PSI	Tpy. $\pm 0.5\%$ F.S.	0.01	0.001	0.001
200 PSI	Tpy. $\pm 0.5\%$ F.S.	0.1	0.01	0.001
300 PSI	Tpy. $\pm 0.5\%$ F.S.	0.1	0.01	0.001
500 PSI	Tpy. $\pm 0.5\%$ F.S.	0.1	0.01	0.001
1000 PSI	Tpy. $\pm 0.5\%$ F.S.	0.1	0.01	0.001
3000 PSI	Tpy. $\pm 0.5\%$ F.S.	0.1	0.1	0.01
5000 PSI	Tpy. $\pm 0.5\%$ F.S.	0.1	0.1	0.01

### Dimensions



### Ordering Information

DPG3000T	Code	Pressure Range			
		(1) 15psi (2) 50psi (3) 100psi (4) 200psi (5) 300psi (6) 500psi (7) 1000psi (8) 3000psi (9) 5000psi			
		<b>Code</b>	<b>Connection port</b>		
		U	1/4"NPT	S	Customized
			<b>Code</b>	<b>Power Supply</b>	
			A	10~30 VDC	
				<b>Code</b>	<b>Output Signal</b>
					(1) 4~20mA with NPN limit switch
<b>DPG3000T</b>					<b>Complete Ordering Code</b>