

METAL TUBE FLOW METER DF SERIES

DF-1 Indicating Only

DF-2 With Alarm Switch

Technical Data

Service: Air, Water

Material: Case—SS316 for DF-1; Aluminum for DF-2;
Body—SS316; Orifice Piston—SS316, PVDF

Dial Size: $\phi 4"$, $\phi 6"$ available (Switch type only for $\phi 4"$)

Indication: Via magnetic coupling (no seals)

Scales: LPM, LPH in water; NLPM, Nm³/H in air

Flow Rate: Water—0.25 LPM up to 20 LPM; 15 LPH up to 1200 LPH
Air—6 NLPM up to 500 NLPM; 0.35 Nm³/Hr up to 30 Nm³/Hr

Max. Working Temperature: 80°C

Max. Working Pressure: Standard 200 kg/cm²;

Other options upon request

Adjustable Micro Switch

1 adjustable alarm contact

Load: 5A/250VAC/125VAC/30VDC

Temperature: -25°C ~ +100°C (AMB)

Hysteresis: $\pm 10\%$ F.S (Dead Band)

Connection Size: $\frac{1}{4}"$, $\frac{1}{2}"$ NPT or BSP

Protection Class: IP65

Accuracy: $\pm 4\%$ FS ($\pm 3\%$ FS option)



DF-1

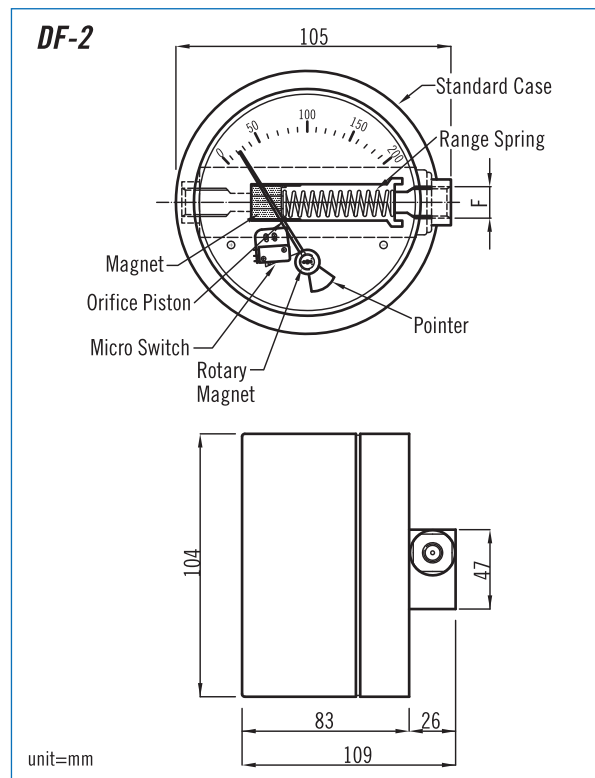
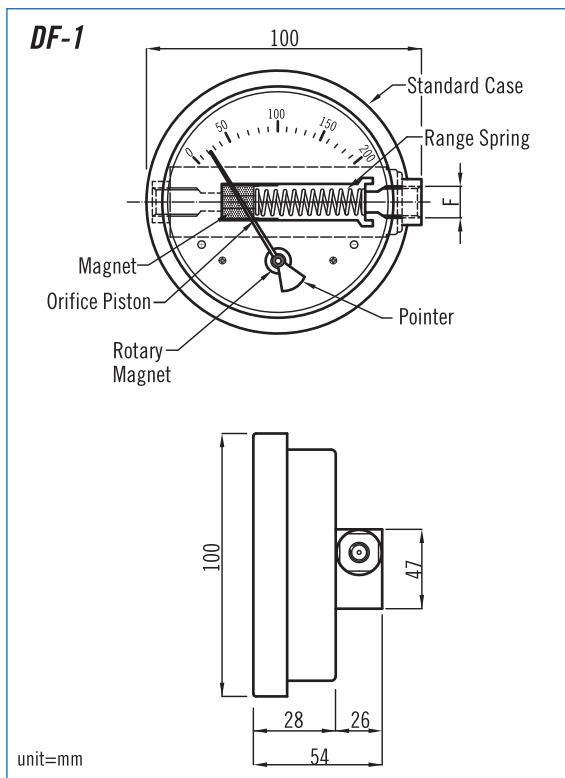


DF-2

Range Selection Table

Water 20°C				Air 20°C 1.013 bar				BSP/ NPT	Thread Type L (mm)
Code	LPM	Code	LPH	Code	NLPM	Code	Nm ³ /Hr		
001	0.25~1.3	007	15~80	013	6~30	019	0.35~1.7	$\frac{1}{4}"$	108
002	0.7~3	008	40~200	014	15~80	020	1~4.7	$\frac{1}{2}"$	130
003	0.8~4	009	50~250	015	20~110	021	1.3~6.6		
004	1.8~9	010	110~550	016	40~220	023	2.6~13		
005	2.6~13	011	160~800	017	60~320	024	4~20		
006	4~20	012	250~1200	018	100~500	025	6~30		

Dimensions



Ordering Information

DF	Code	Type					
↓	1	Indicating only (case material SS316)					
	2	With alarm switch (case material Aluminum)					
		Code Flow Range					
	S	Standard Range (Please refer to <i>Range Selection Table.</i>)					
		Please directly fill out the flow range in the order code.					
		Code Wetted Parts Material					
		(A) SS316					
		Code Process Connection (Female)					
		(1) ¼" NPT (2) ½" NPT (3) ¼" BSP (4) ½" BSP					
		Code Conduit Connection					
	(A) ¾" NPT Female (B) ½" NPT Female, Standard (O) Without						
	Code Switch Form						
	1 One SPDT (only for DF-2) 2 Without						
DF							Complete Ordering Code