

FLOW CONSTANT VALVE FOR PURGE METER CVA/CVD

Technical Data

The CVA series is used in where the pressure at the inlet is variable and the pressure at the outlet is constant.

The CVD series is used in where the pressure at the inlet is constant and the pressure at the outlet is variable.

Flow Rate:

Liquid: Maximum 200 cc/min water, bigger than it on request

Gas: Maximum 30 NL/Min air, bigger than it on request

Process Connection: ¼" NPT female, others on request

Temperature Limit: 120°C max.

Pressure Limit: 10 kg/cm², bigger than it on request

Controllable Differential Pressure: Air minimum 0.02 kg/cm²

Maximum 4 kg/cm², liquid minimum 0.2 kg/cm²

Maximum 4 kg/cm², special range on request

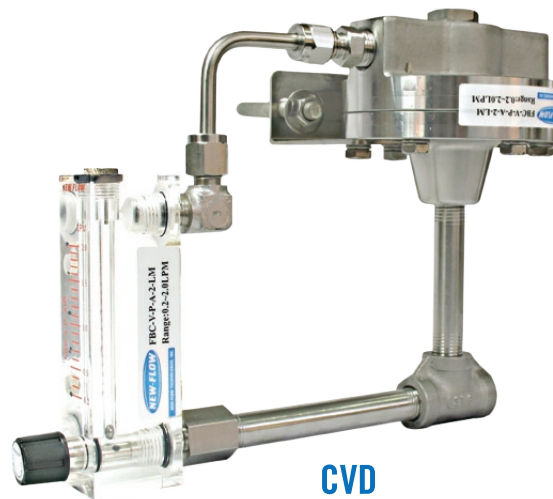
Accuracy: ±5% F.S.

Material: Body and metal parts-316 stainless steel

Membrane-Teflon, option on request

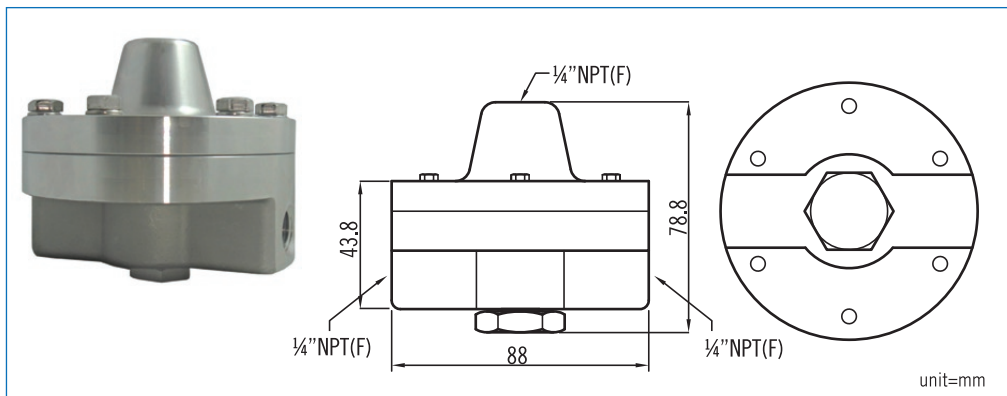


CVA

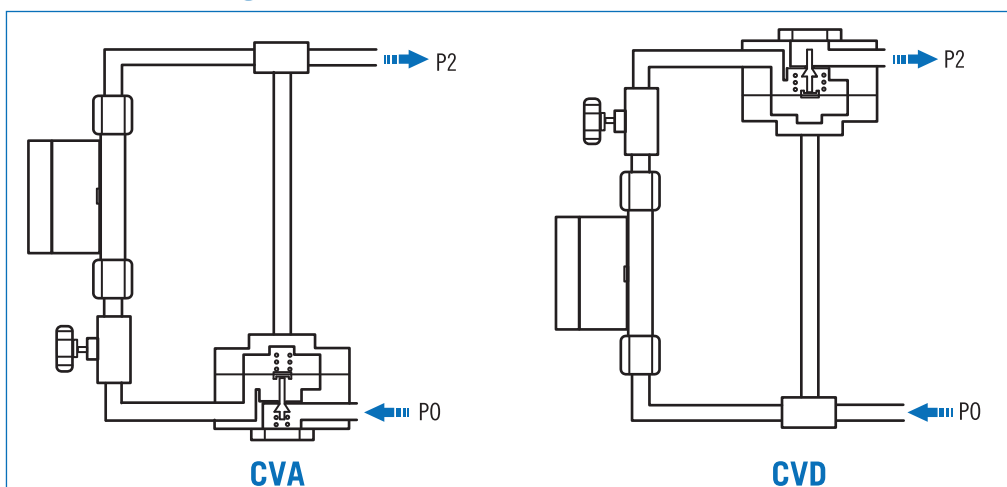


CVD

Dimension



Installed Drawing

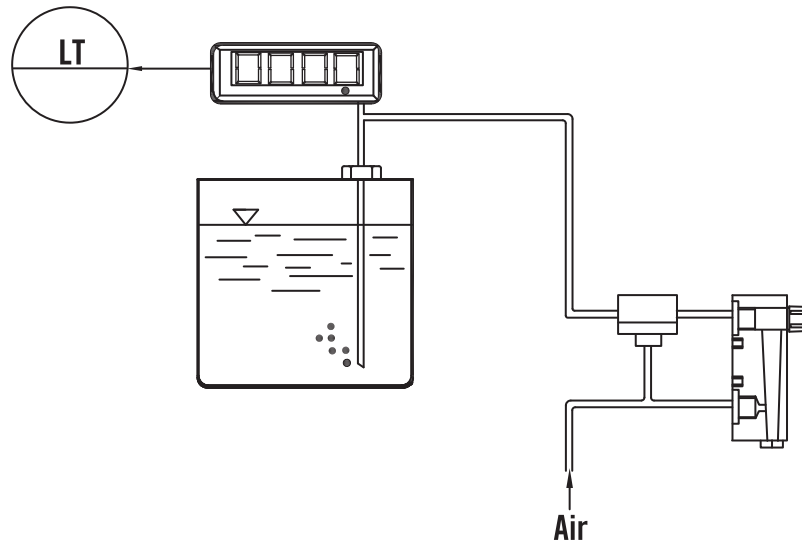


CVA

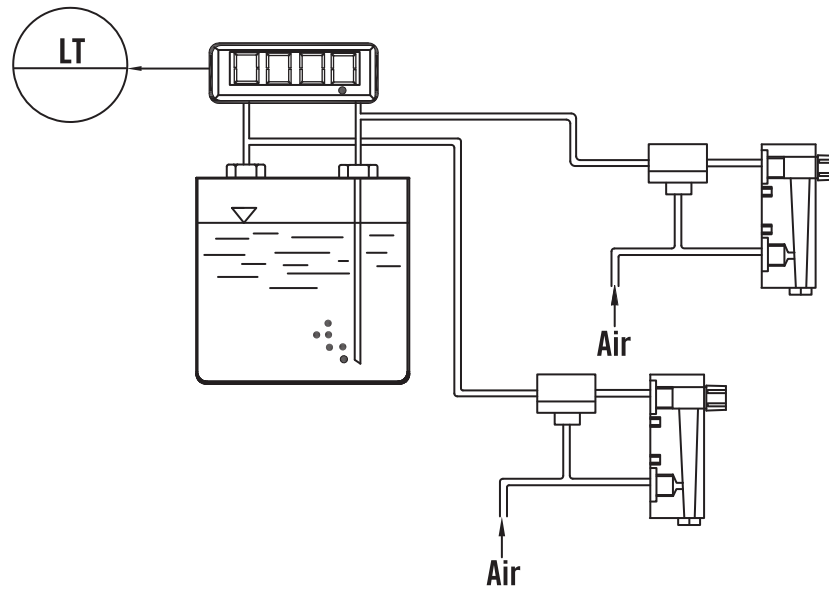
CVD

Installed Method

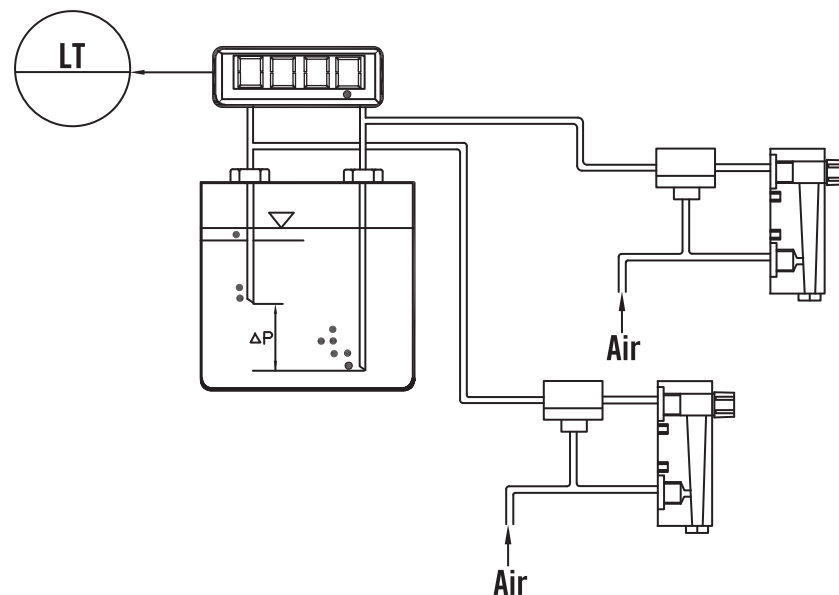
Open Tanks Type Installed Method



Closed Tanks Type Installed Method

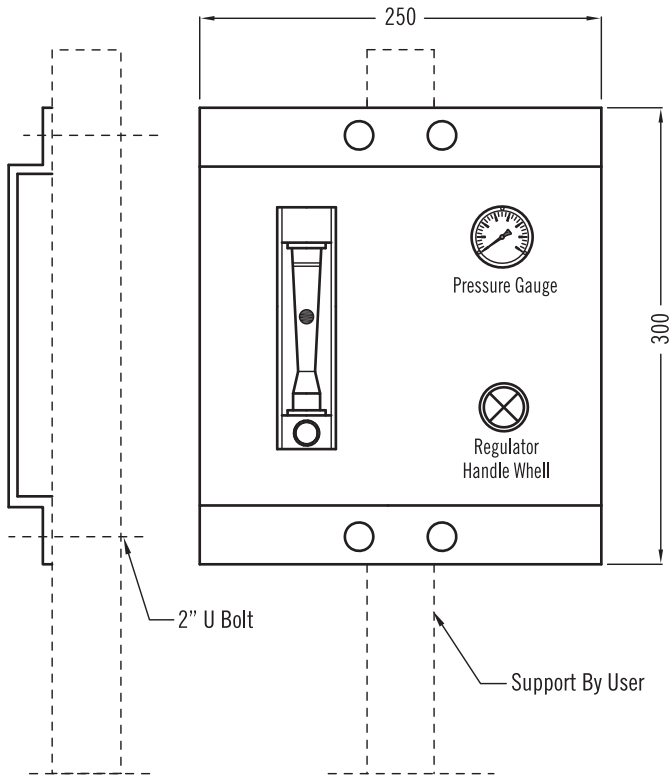


Measuring Density Type Installed Method

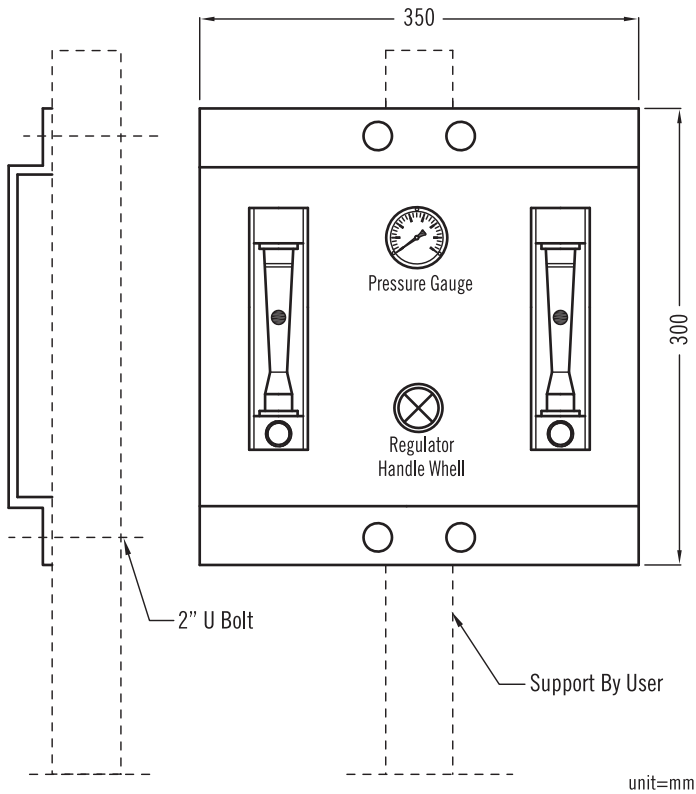


Purge Set W/Panel

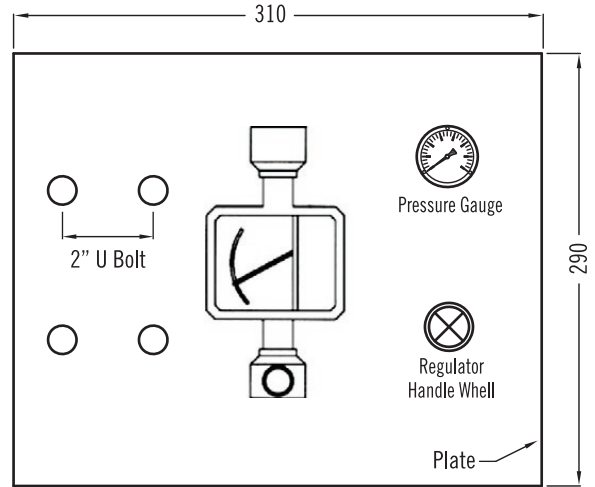
Glass Tube Flow Meter— One Set



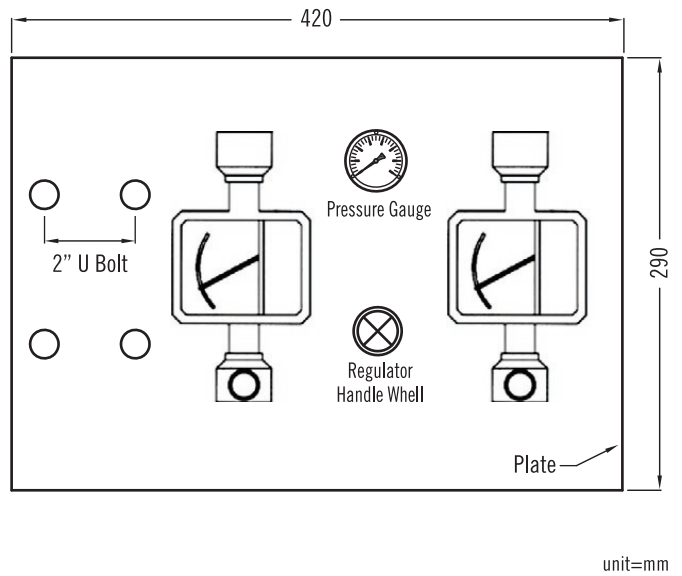
Glass Tube Flow Meter— Two Set



Metal Tube Flow Meter— One Set



Metal Tube Flow Meter— Two Set



NOTE
Option: Other style available.